



US00D464579S

(12) **United States Design Patent** (10) **Patent No.:** **US D464,579 S**
Martone (45) **Date of Patent:** **** Oct. 22, 2002**

(54) **RETRACTABLE RULE**
(75) Inventor: **Joseph R. Martone**, Bristol, CT (US)
(73) Assignee: **The Stanley Works**, New Britain, CT (US)
(**) Term: **14 Years**

(21) Appl. No.: **29/109,368**
(22) Filed: **Aug. 13, 1999**
(51) **LOC (7) Cl.** **10-04**
(52) **U.S. Cl.** **D10/72**
(58) **Field of Search** **D10/72; 33/755-770**

(56) **References Cited**
U.S. PATENT DOCUMENTS
D350,703 S * 9/1994 Fifer D10/72
D441,309 S * 5/2001 Evans, Jr. et al. D10/72

* cited by examiner

Primary Examiner—Antoine Duval Davis
(74) *Attorney, Agent, or Firm*—Pillsbury Winthrop LLP

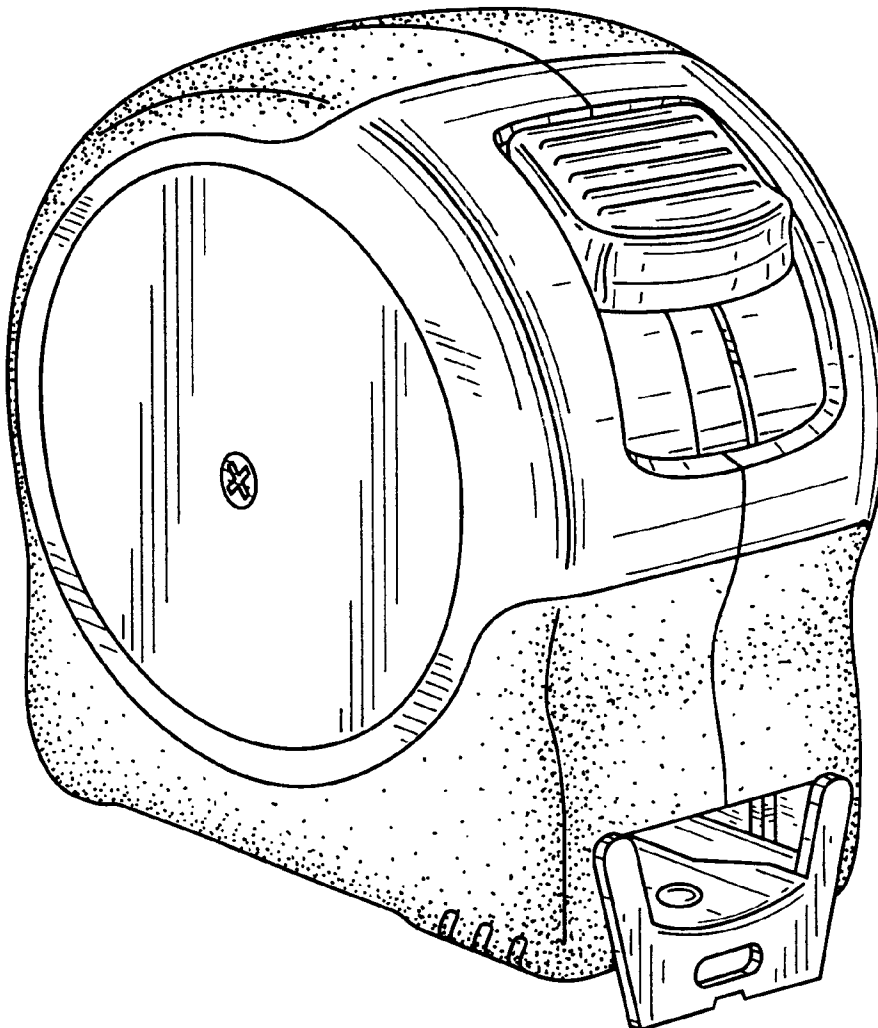
(57) **CLAIM**

The ornamental design for a retractable rule, as shown and described.

DESCRIPTION

FIG. 1 is a perspective view looking down on the front and rear side of a retractable rule embodying my new design; FIG. 2 is a right side elevational view thereof; FIG. 3 is a left side elevational view thereof; FIG. 4 is a front elevational view thereof; FIG. 5 is a rear elevational view thereof; FIG. 6 is a top plan view thereof; and, FIG. 7 is a bottom plan view thereof.

1 Claim, 4 Drawing Sheets



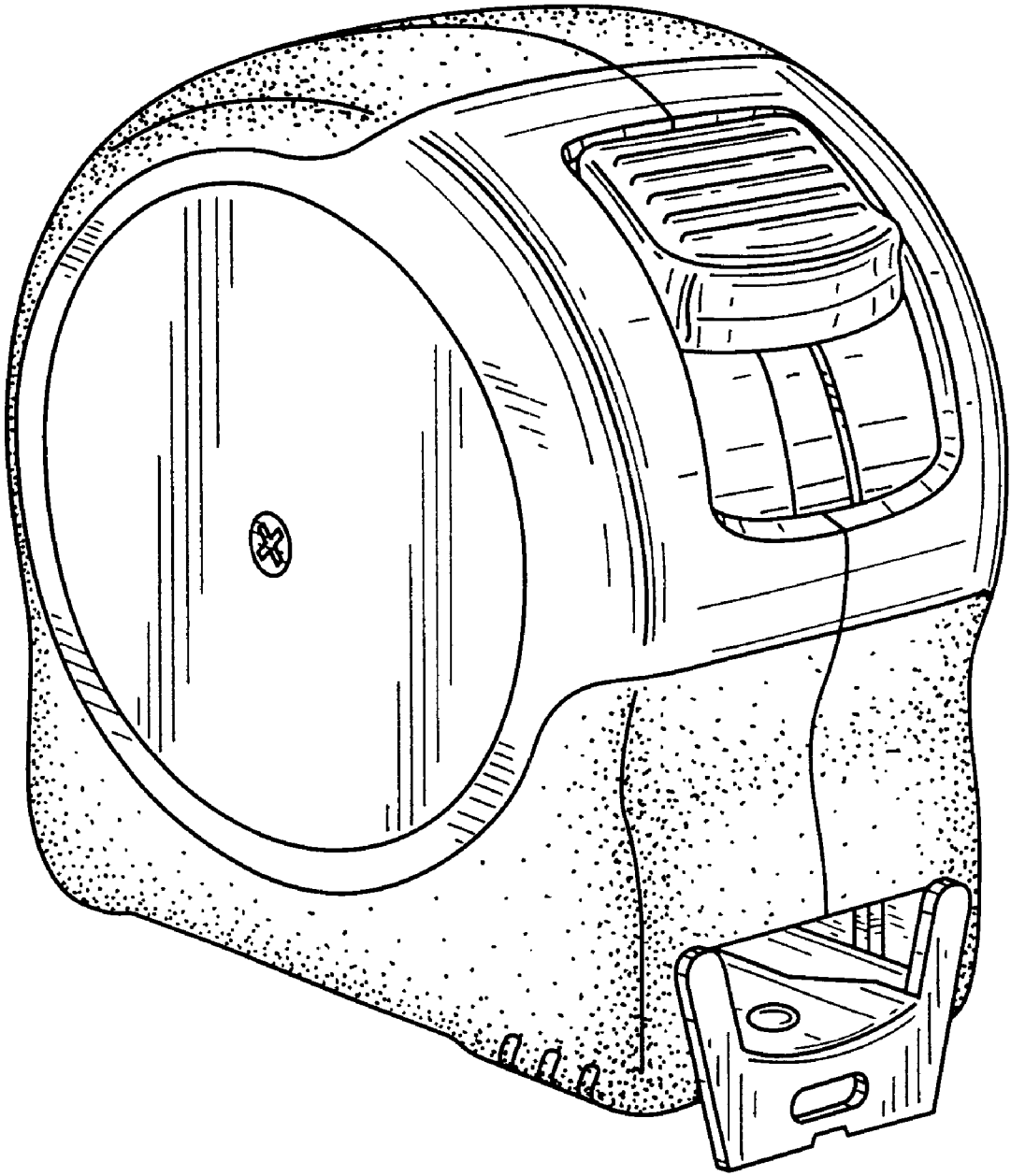


FIG. 1

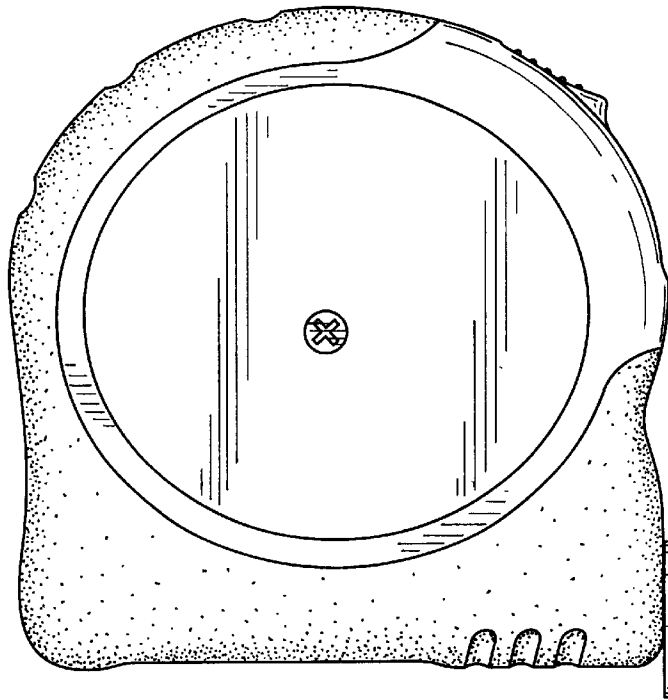


FIG. 2

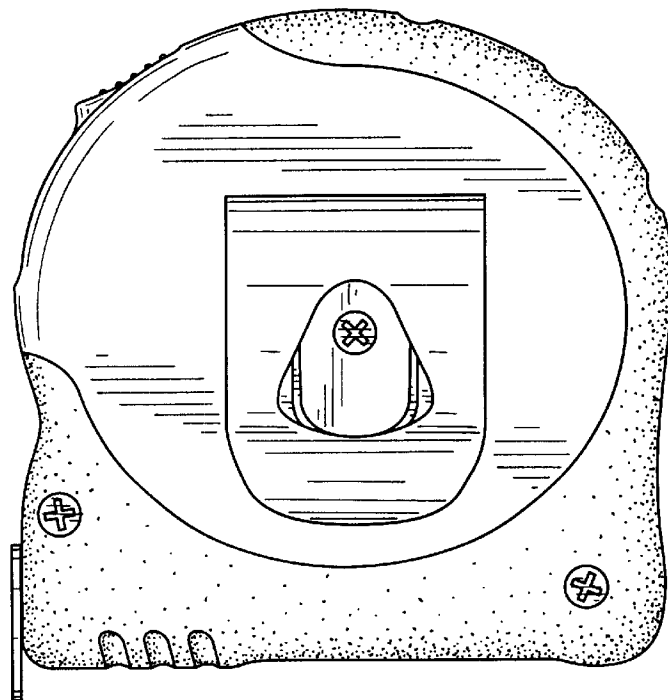


FIG. 3

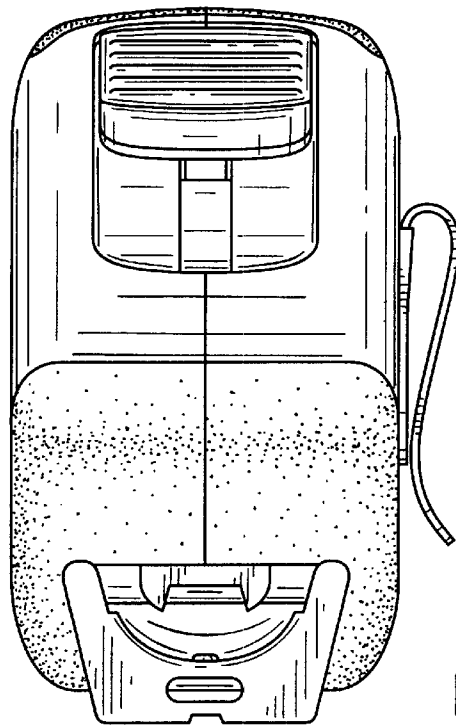


FIG. 4

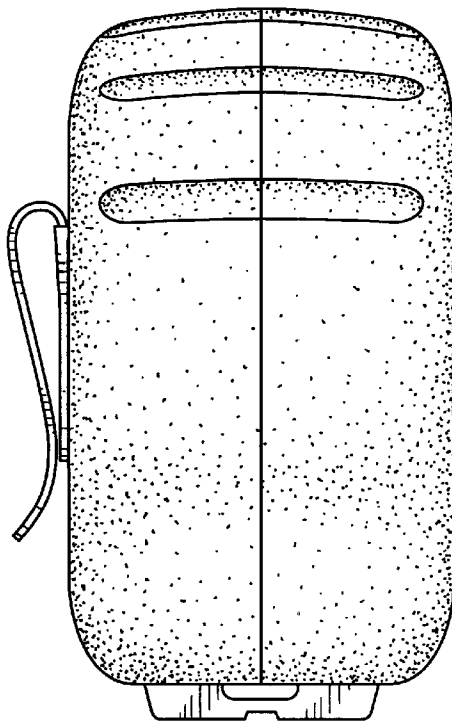


FIG. 5

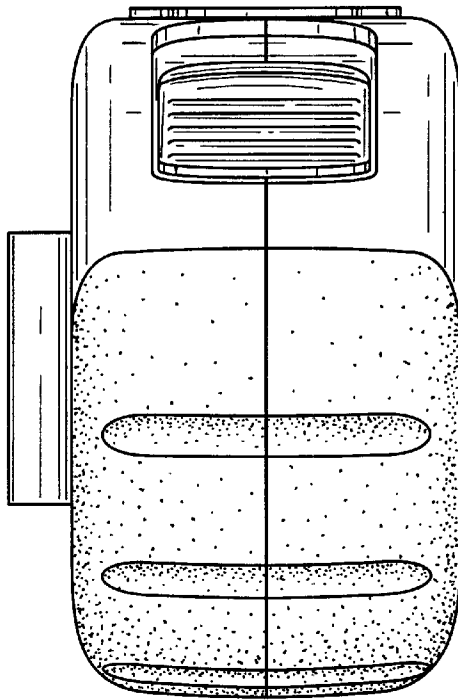


FIG. 6

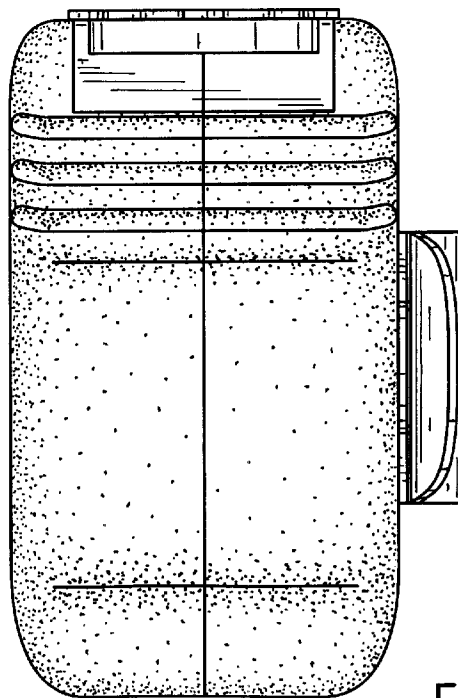


FIG. 7