



US007296909B2

(12) **United States Patent**  
**Van Deursen et al.**

(10) **Patent No.:** **US 7,296,909 B2**  
(45) **Date of Patent:** **Nov. 20, 2007**

(54) **FLASHLIGHT**

(75) Inventors: **Gary Van Deursen**, Avon, CT (US);  
**Joseph Martone**, Bristol, CT (US);  
**Vincent Cook**, Milford, CT (US);  
**Michael Kwok Ying Chan**, Tai Po (HK)

4,739,457 A *	4/1988	Orr	362/287
4,819,141 A	4/1989	Maglica et al.	362/207
4,907,769 A	3/1990	Hunley, Jr. et al.	248/185
5,008,785 A	4/1991	Maglica et al.	362/183
5,142,467 A	8/1992	Yuen	362/399
5,541,822 A	7/1996	Bamber	362/190
5,592,066 A *	1/1997	Fan	320/113

(73) Assignee: **The Stanley Works**, New Britain, CT (US)

(\* ) Notice: Subject to any disclaimer, the term of this patent is extended or adjusted under 35 U.S.C. 154(b) by 0 days.

(Continued)

FOREIGN PATENT DOCUMENTS

BE 620644 A 11/1962

(21) Appl. No.: **11/399,266**

(22) Filed: **Apr. 7, 2006**

(Continued)

(65) **Prior Publication Data**

US 2006/0175977 A1 Aug. 10, 2006

**Related U.S. Application Data**

(62) Division of application No. 10/968,266, filed on Oct. 20, 2004.

(51) **Int. Cl.**

**F21L 4/04** (2006.01)

**F21L 19/00** (2006.01)

**F21L 4/00** (2006.01)

(52) **U.S. Cl.** ..... **362/199**; 362/162; 362/177;  
362/208; 362/202; 362/427; 362/116; 362/109;  
248/177.1

(58) **Field of Classification Search** ..... 362/162,  
362/177, 199, 208, 178, 202, 287, 109, 190,  
362/427, 166; 248/177.1

See application file for complete search history.

(56) **References Cited**

U.S. PATENT DOCUMENTS

2,726,321 A	12/1955	Riotta	362/184
4,092,580 A	5/1978	Prinsze	320/115
4,208,703 A *	6/1980	Orr	362/287

BE

620644 A 11/1962

OTHER PUBLICATIONS

European Search Report dated Aug. 13, 2007 for related application EP 05 25 6295.

(Continued)

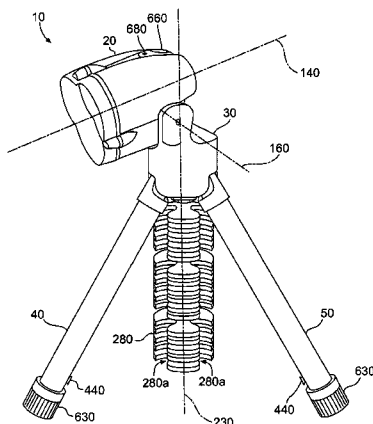
*Primary Examiner*—Jacob Y Choi

(74) *Attorney, Agent, or Firm*—Pillsbury Winthrop Shaw Pittman LLP; Larry J. Hume

(57) **ABSTRACT**

A handheld flashlight includes a head that pivots relative to a body. At least two legs pivotally connect to the body at a fixed location along the body, and open into an extended, open or deployed position to support the head in an elevated position. In the closed or handheld flashlight position, the legs form a flashlight handle that is aligned with an illumination direction of the head and is shaped and sized to be held in the hand of an operator. Each of the legs may contain battery source holders for battery sources that connect to each other.

**35 Claims, 7 Drawing Sheets**



U.S. PATENT DOCUMENTS

5,595,436 A	1/1997	Way, Jr. et al. ....	362/190
5,630,660 A	5/1997	Chen .....	362/183
5,684,452 A *	11/1997	Wang .....	340/321
5,690,418 A	11/1997	Hsiung .....	362/259
5,816,684 A	10/1998	Yu .....	362/191
5,931,560 A	8/1999	Hoffman .....	362/124
6,012,824 A	1/2000	Sharrah et al. ....	362/199
6,091,358 A *	7/2000	Maniscalco et al. ....	342/357.1
6,181,067 B1 *	1/2001	Dalton .....	315/86
6,265,969 B1 *	7/2001	Shih .....	340/468
6,318,878 B1	11/2001	Dorfman .....	362/189
6,394,631 B1	5/2002	Yuen .....	340/908
6,454,228 B1 *	9/2002	Bosnakovic .....	248/177.1
6,469,619 B1	10/2002	Mayercheck	
6,517,215 B2	2/2003	Mele .....	362/203

6,851,828 B1	2/2005	Hansen .....	362/203
6,873,249 B2 *	3/2005	Chu .....	340/332
7,011,423 B2 *	3/2006	Chen .....	362/102
2001/0020903 A1	9/2001	Wa ng .....	362/399
2002/0136005 A1	9/2002	Lee .....	362/171
2003/0067771 A1	4/2003	Kung .....	362/191

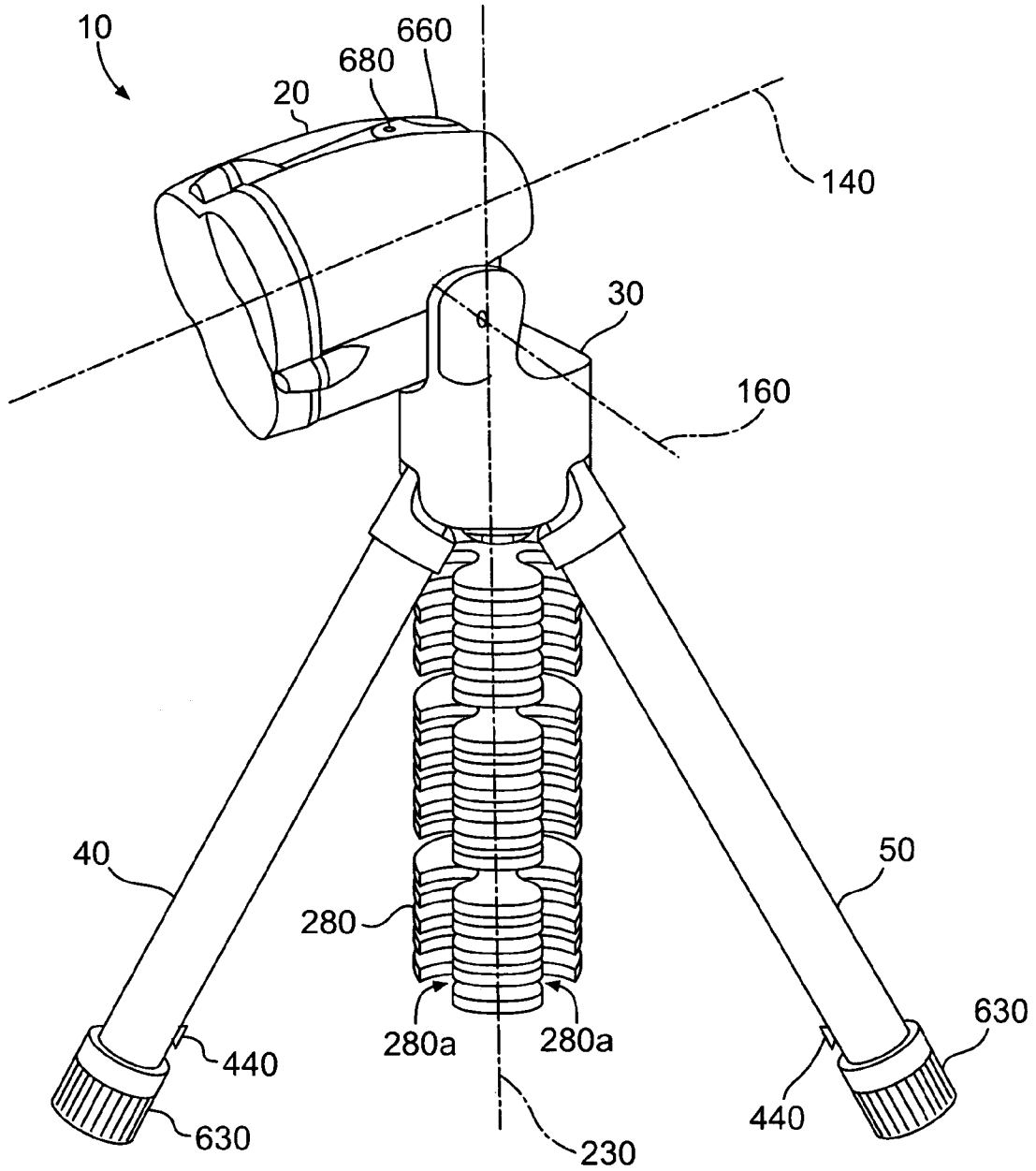
FOREIGN PATENT DOCUMENTS

CH	608661 A5	1/1979
DE	203 00 078 U1	5/2003

OTHER PUBLICATIONS

European Search Report dated Aug. 21, 2007 for related application EP 05 25 6296.

\* cited by examiner



**FIG. 1**

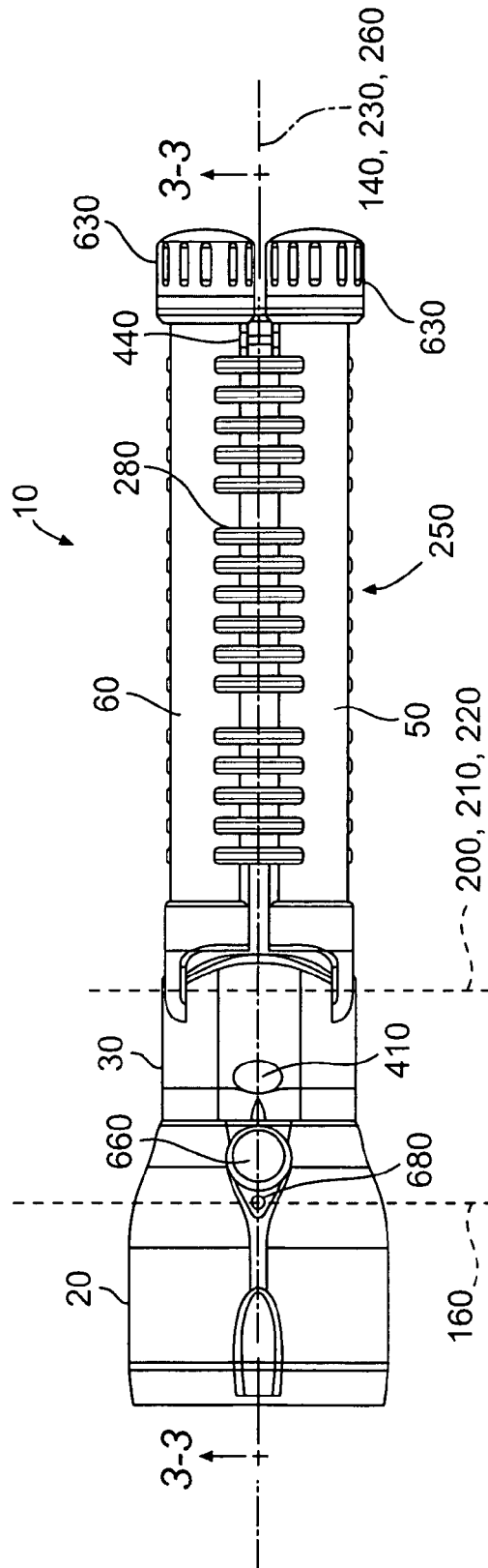


FIG. 2

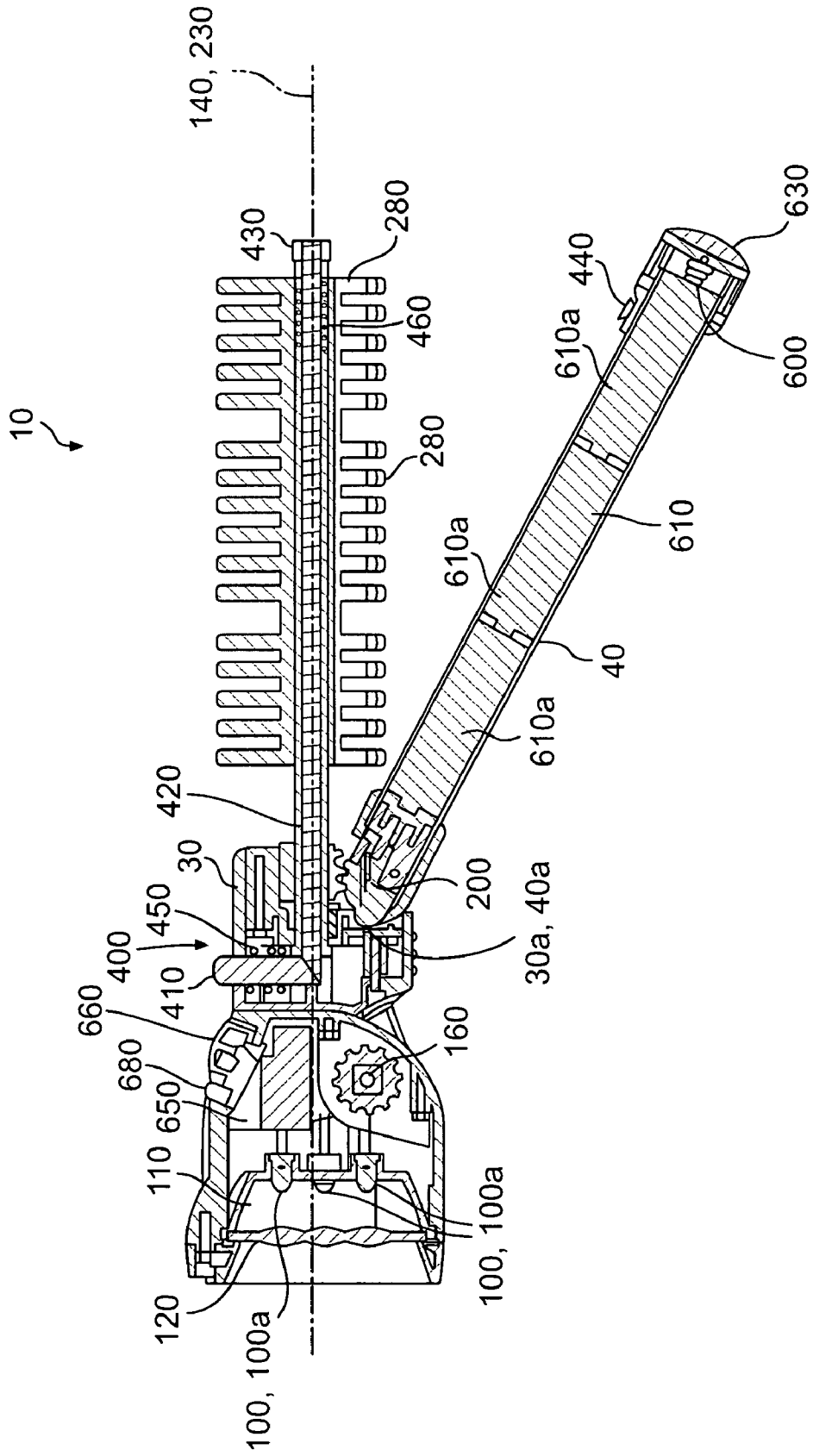


FIG. 3

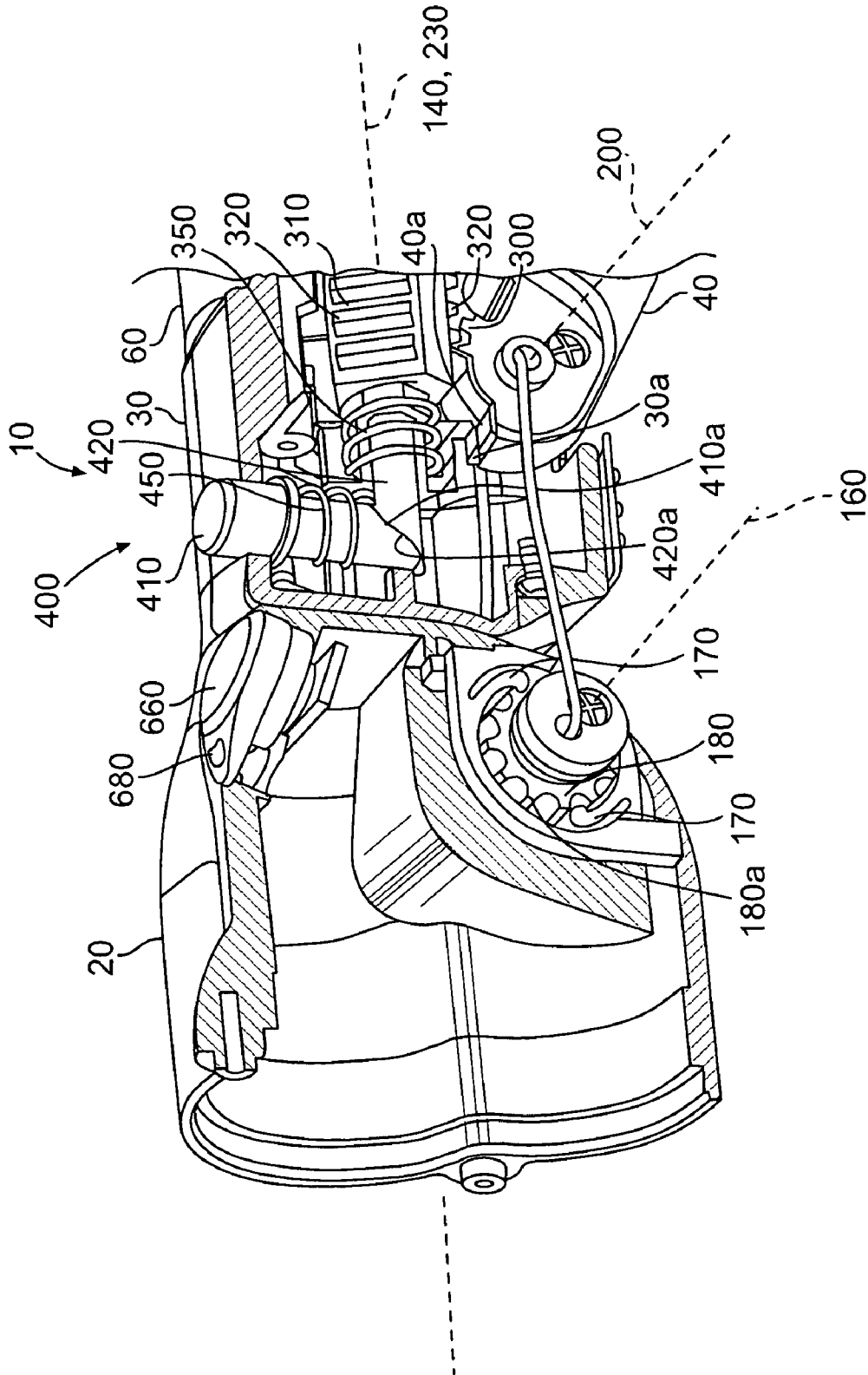
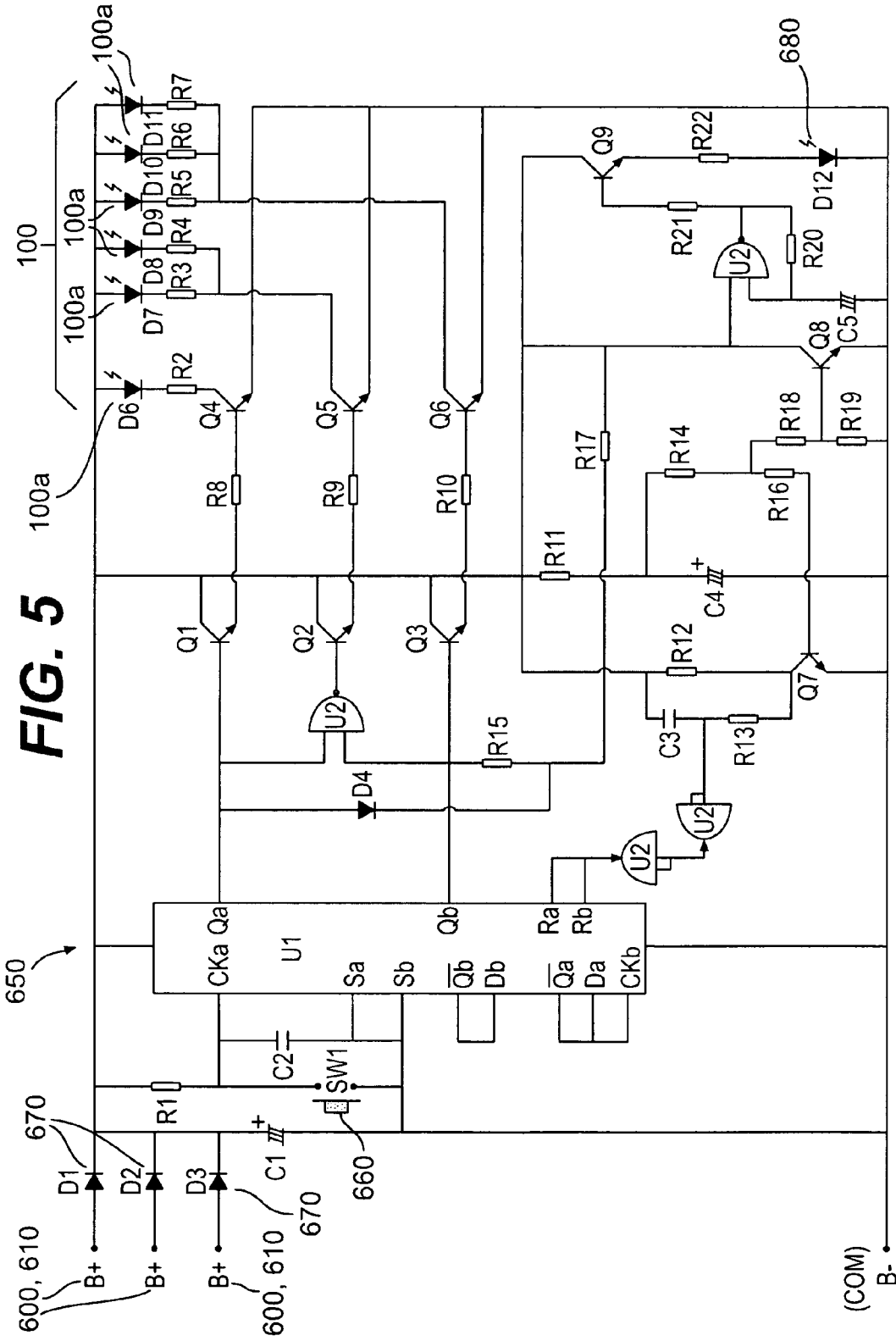
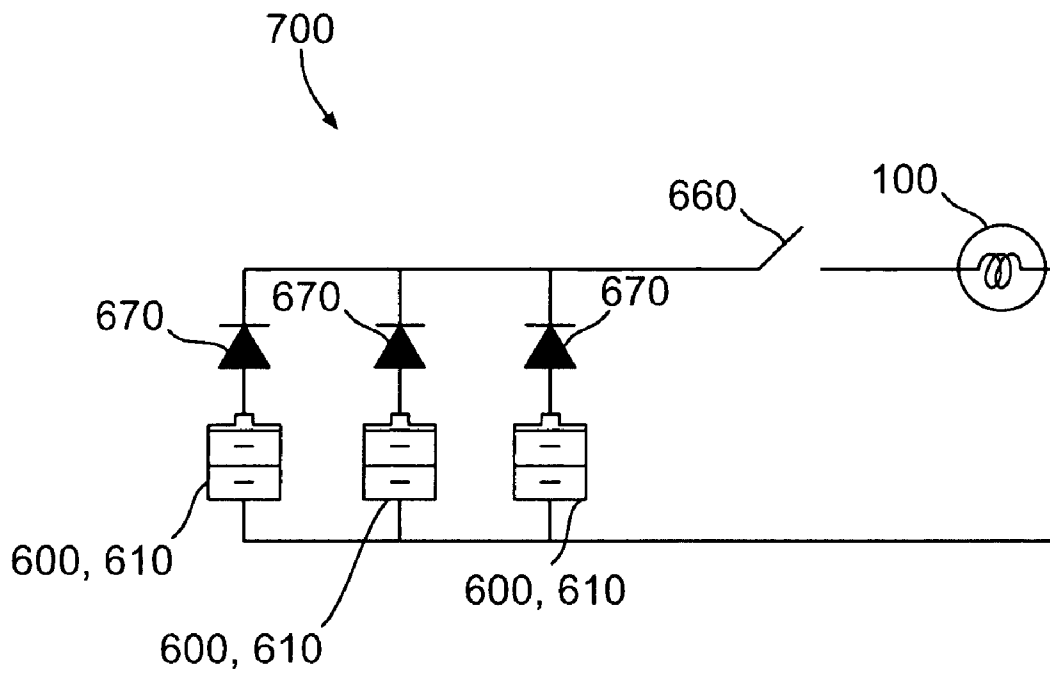


FIG. 4

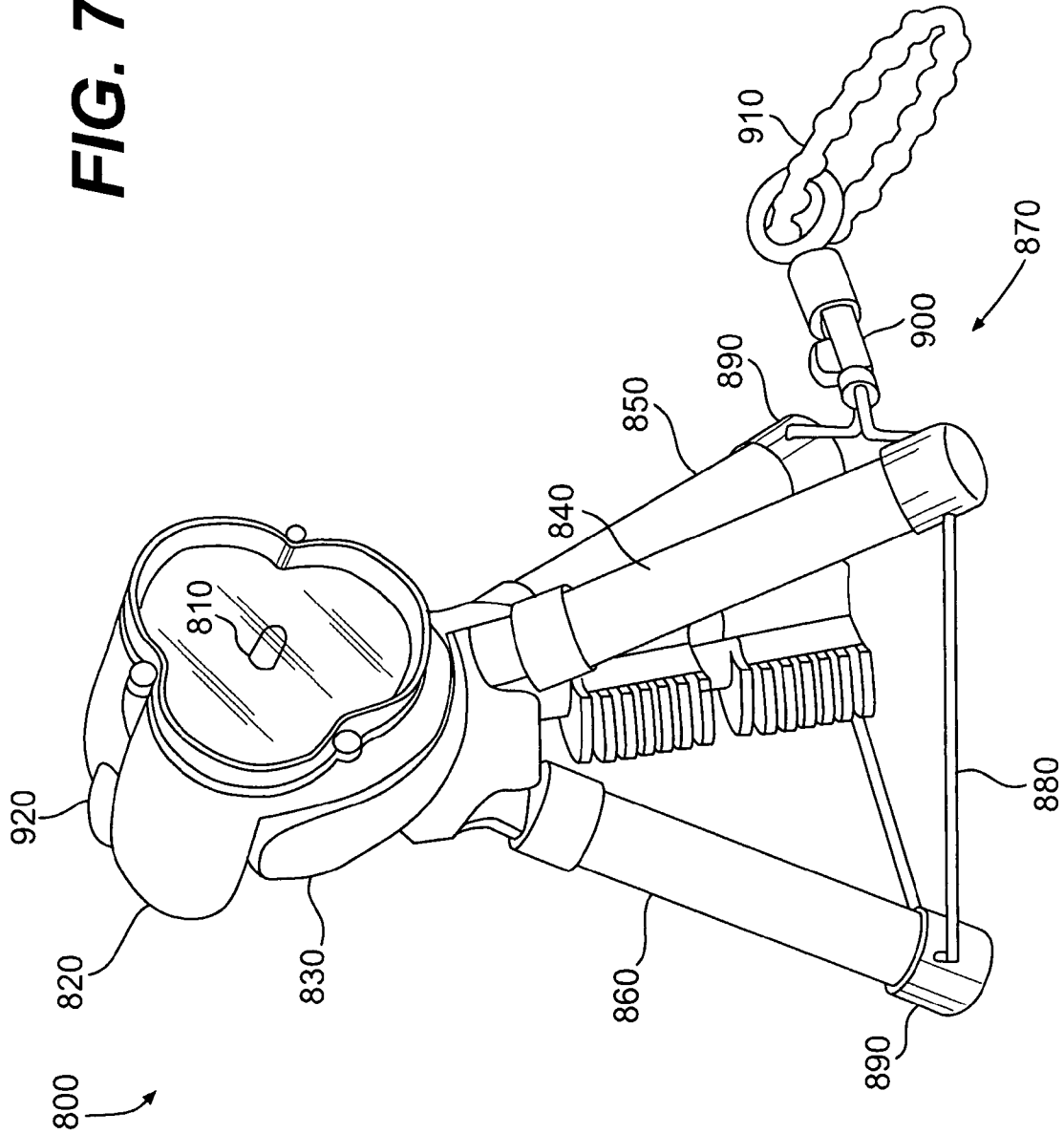




**FIG. 6**



FIG. 7



## FLASHLIGHT

## RELATED APPLICATIONS

This Application is a divisional of U.S. application Ser. No. 10/968,266, filed Oct. 20, 2004, the entire contents of which are hereby incorporated by reference.

## BACKGROUND OF THE INVENTION

## 1. Field of the Invention

This invention relates to handheld flashlights and particularly relates to flashlights that can be disposed in an upright, self-supporting position. This invention also relates to flashlights that utilize battery sources disposed in parallel.

## 2. Description of Related Art

Connecting flashlight batteries in parallel rather than series circuits has the potential to extend the flashlight's battery life. However, conventional flashlights typically do not utilize such parallel circuits because batteries arranged in parallel tend to charge/discharge each other, which significantly reduces the flashlight's battery life. To combat the disadvantageous discharge, U.S. Pat. No. 6,181,067 discloses a flashlight that utilizes switches disposed in series with each of the parallel batteries. When the switches are opened, the batteries become electrically isolated from each other such that they do not discharge each other. Closing the switches electrically connects the batteries to the flashlight's light source in parallel. Such a flashlight requires extra parts. Moreover, the parallel batteries still discharge each other whenever the flashlight is on because the parallel batteries become electrically connected to each other.

It is known to provide mechanisms that hold flashlight in self-supporting upright positions to free an operator's hands. For example, U.S. Pat. No. 5,541,822 discloses a flashlight with a support clip to hold the flashlight in an upright position. Unfortunately, since the clip is small relative to the flashlight, the clip cannot stably support the flashlight. U.S. Pat. No. 5,684,452 discloses a flashlight with legs that expand into a tripod position to support the flashlight in an upright position. Unfortunately, the legs make the flashlight cumbersome and bulky. Other known mechanisms for holding a flashlight in a self-supporting upright position are bulky, complex, and render the flashlight cumbersome to operate.

## SUMMARY OF THE INVENTION

Accordingly, one aspect of one or more embodiments of this invention provides a flashlight with parallel battery sources that do not discharge each other even when the flashlight is on.

Another aspect of one or more embodiments of the present invention provides a compact handheld flashlight with legs that expand into a stable tripod to support the flashlight's head in an elevated position. After the operator appropriately positions the flashlight head, the operator's hands are free.

Another aspect of one or more embodiments of the present invention provides a flashlight that includes a light source and a plurality of battery sources electrically connected to the light source in parallel. The flashlight also includes a plurality of diodes. Each of the plurality of diodes are disposed in series with a corresponding one of the plurality of battery sources to discourage electricity from flowing from one of the battery sources to another of the battery sources. The flashlight may also include an on/off

switch electrically disposed between the plurality of battery sources and the light source. Each battery source may include a plurality of batteries arranged in series with each other.

According to a further aspect of one or more of these embodiments, any complete electrical path between any two of the battery sources comprises two oppositely biased diodes in series with each other.

Another aspect of one or more embodiments of the present invention provides a flashlight that includes a housing defining a plurality of battery source holders and a light source mounted to the housing. The flashlight further includes an electrical circuit connecting the battery source holders to the light source in parallel. The flashlight also includes a plurality of diodes. Each of the plurality of diodes are disposed in series with a corresponding one of the plurality of battery source holders.

According to a further aspect of one or more of these embodiments, the electrical circuit further includes a switch having closed and open positions, wherein the battery source holders are electrically connected to the light source when the switch is closed, and the battery source holders are electrically disconnected from the light source when the switch is in the open position. The battery source holders may remain in a closed parallel circuit with each other regardless of the position of the switch.

Another aspect of one or more embodiments of the present invention provides a handheld flashlight that has a head including a light source. The flashlight also has first, second, and third legs connected to the head. At least two of the legs are pivotally movable between closed and open positions. The first, second, and third legs are positioned to support the head in an elevated position when the at least two of the legs are in their open positions. The flashlight also includes first and second battery source holders disposed within the first and second legs, respectively. The battery source holders are adapted to electrically connect to the light source.

According to a further aspect of one or more of these embodiments, the at least two of the legs comprises the first, second, and third legs. The flashlight may also include a third battery source holder disposed on the third leg and adapted to electrically connect to the light source. The first, second, and third legs preferably form a tripod when the at least two of the legs are in their open positions.

According to a further aspect of one or more of these embodiments, the first and second legs each include a tube constructed to hold a battery source therein.

According to a further aspect of one or more of these embodiments, the first, second, and third legs are generally parallel to each other when the at least two of the legs are in the closed position.

According to a further aspect of one or more of these embodiments, the first, second, and third legs together form a longitudinally elongated flashlight handle when the at least two of the legs are in the closed position. The flashlight handle defines a longitudinal axis. The head defines an illumination direction that is generally parallel to the longitudinal axis of the flashlight handle.

According to a further aspect of one or more of these embodiments, the flashlight includes a body portion connected to the head. The at least two of the legs pivotally connect to the head via pivotal connections between the legs and the body portion. The body portion may define a longitudinally extending flashlight axis, such that the first, second, and third legs are generally parallel to the flashlight axis when the at least two of the legs are in the closed

position. The head defines an illumination direction and movably connects to the body portion to permit an operator to selectively redirect the illumination direction relative to the body portion.

According to a further aspect of one or more of these embodiments, the movable connection between the head and body is a pivotal connection that defines a head pivot axis that is generally perpendicular to the illumination direction. According to a further aspect of one or more of these embodiments, the head and body portions include mating frictional surface features that resist pivotal movement of the head relative to the body portion about the head pivot axis.

According to a further aspect of one or more of these embodiments, the at least two of the legs are spring-biased toward their open positions.

According to a further aspect of one or more of these embodiments, the flashlight further includes an operator-releasable detent mechanism/lock that releasably holds the at least two of the legs in their closed positions.

According to a further aspect of one or more of these embodiments, the at least two of the legs are mechanically linked to each other so as to force the at least two of the legs to move between their open and closed positions in unison. Each of the at least two of the legs may include gear teeth disposed thereon. The gear teeth operatively connect to one another to force the at least two of the legs to pivot in unison relative to the head.

According to a further aspect of one or more of these embodiments, the flashlight includes a body portion connected to the head. The at least two of the legs pivotally connect to the head via a pivotal connection between the legs and the body portion. The flashlight includes a rack mounted to the body to allow the rack to move longitudinally relative to the body. The rack has a plurality of spaced teeth. The teeth of the rack mesh with the gear teeth of the at least two of the legs such that the gear teeth of the at least two of the legs operatively connect to each other via the rack. The rack moves longitudinally when the at least two of the legs move between their open and closed positions. According to a further aspect of one or more of these embodiments, a spring operatively extends between the body portion and the rack to bias the rack in a longitudinal direction that moves the at least two of the legs into their open positions.

Another aspect of one or more embodiments of the present invention provides a keychain that includes a flashlight. The flashlight includes a head with a light source. The flashlight also includes first, second, and third legs connected to the head. At least two of the legs are pivotally movable between closed and open positions. The first, second, and third legs are positioned to support the head in an elevated position when the at least two of the legs are in their open positions. The keychain also includes a key ring connected to the flashlight.

Another aspect of one or more embodiments of the present invention provides a flashlight that includes a head including a light source. The flashlight also includes first, second, and third legs connected to the head. At least two of the legs are pivotally movable between closed and open positions and spring-biased toward their open positions. The first, second, and third legs are positioned to support the head in an elevated position when the at least two of the legs are in their open positions. The flashlight also includes an operator-releasable lock that releasably holds the at least two of the legs in their closed positions.

Another aspect of one or more embodiments of the present invention provides a flashlight that includes a head with a light source. The flashlight also includes first, second,

and third legs connected to the head and pivotally movable relative to the head between closed and open positions. The first, second, and third legs are positioned to support the head in an elevated position when in their open positions. The flashlight also includes an operator-releasable lock that releasably holds the first, second, and third legs in their closed positions. The lock remains physically mounted to the flashlight regardless of the pivotal position of the legs.

According to a further aspect of one or more of these embodiments, the lock includes a flexible cord operatively extending between the first, second, and third legs. The lock also includes an adjustable clasp connected to the cord. Selective adjustment of the clasp varies a length of the cord on one side of the clasp to selectively limit an extent to which the legs may pivot toward their open positions.

According to a further aspect of one or more of these embodiments, the lock includes magnetic material mounted to one of the head and the first, second, or third legs. The lock also includes a ferromagnetic material mounted to the other of the head and the first, second, or third legs. The ferromagnetic material is aligned with the magnetic material when the legs are in their closed positions to magnetically secure the legs in their closed positions.

According to a further aspect of one or more of these embodiments, the lock further includes a switch that selectively moves the magnetic material and the ferromagnetic material out of alignment with each other to allow the legs to move into their open positions.

Additional and/or alternative advantages and salient features of the invention will become apparent from the following detailed description, which, taken in conjunction with the annexed drawings, disclose preferred embodiments of the invention.

#### BRIEF DESCRIPTION OF THE DRAWINGS

Referring now to the drawings which form a part of this original disclosure:

FIG. 1 is side perspective view of a flashlight in an open tripod position according to an embodiment of the present invention;

FIG. 2 is a top view of the flashlight of FIG. 1;

FIG. 3 is cross-sectional view of the flashlight in FIG. 2, taken along the line 3-3 in FIG. 2, but with a flashlight leg in an open position;

FIG. 4 is a partially cut away perspective view of the flashlight in FIG. 1;

FIG. 5 is an electrical circuit diagram of the flashlight in FIG. 1;

FIG. 6 is an electrical circuit diagram according to an alternative embodiment of the present invention; and

FIG. 7 is a side perspective view of a flashlight according to an alternative embodiment of the present invention.

#### DETAILED DESCRIPTION OF PREFERRED EMBODIMENTS

FIGS. 1-4 illustrate a hand-held flashlight 10 according to one embodiment of the present invention. As shown in FIG. 1, the flashlight 10 comprises a head 20, a body portion 30, and three legs 40, 50, 60.

As shown in FIG. 3, the head 20 includes a light source 100, a reflector well 110, and a clear cover 120. The illustrated light source 100 includes a plurality of light emitting diodes (LEDs) 100a, but may alternatively comprise any other suitable light(s) (e.g., halogen, incandescent, florescent, etc.). The reflector well 110 is a multi-lobe

5

reflector well. The clear cover **120** includes a plurality of discrete lenses formed therein, one for each of the LEDs **100a**. The head **20** and light source **100** define an illumination direction **140** along which light generated by the light source **100** generally projects.

As best illustrated in FIG. 4, the head **20** pivotally connects to the body portion **30** for relative pivotal movement about a head pivot axis **160** that is generally perpendicular to the illumination direction **140**. While the illustrated movable connection between the head **20** and body portion **30** comprises a pivotal connection, the movable connection may alternatively comprise any other suitable movable connection that allows an operator to adjust or redirect the illumination direction relative to the body portion **30** without deviating from the scope of the present invention.

As best illustrated in FIG. 4, the head **20** includes a frictional surface feature **170** that mates with a corresponding frictional surface feature **180** disposed on the body portion **30** to resist pivotal movement of the head **20** relative to the body portion **30** about the head pivot axis **160**. The illustrated surface feature **170** comprises two resiliently deformable paws disposed on the head **20**. The illustrated surface feature **180** comprises a spur gear with teeth **180a** that mate with the paws **170**. To pivot the head **20**, an operator must apply sufficient pivoting force to overcome the frictional resistance between the paws **170** and toothed spur gear **180**. Each tooth **180a** provides a positive pivotal position for the head **20** such that the head **20** pivots in finite intervals. Interaction between the paws **170** and the teeth **180a** may provide a satisfying clicking sound as the paws jump between adjacent teeth **180a**.

While the illustrated surface features **170**, **180** comprise paws and teeth **180a**, any other suitable frictionally engageable surface features may alternatively be used. For example, the surface features **170**, **180** may comprise mating flat high-friction surfaces such as rubber.

As shown in FIGS. 2-4, the legs **40**, **50**, **60** pivotally connect to the body portion **30** for relative pivotal movement about leg axes **200**, **210**, **220**, respectively. The leg axes **200**, **210**, **220** are each generally perpendicular to a longitudinal flashlight axis **230** defined by the body portion **30**. The legs **40**, **50**, **60** pivot relative to the body portion **30** between open positions (see FIG. 1) and closed positions (see FIG. 2). As shown in FIGS. 3 and 4, physical interference between abutting surfaces **30a** and **40a** of the body portion **30** and the legs **40**, **50**, **60**, respectively prevent the legs **40**, **50**, **60** from pivoting beyond their open positions.

As shown in FIG. 1, the legs **40**, **50**, **60** form a tripod to support the head **20** in an elevated position when the legs **40**, **50**, **60** are in their open positions. An operator may rest the opened flashlight **10** on a relatively flat surface and pivot the head **20** about the head pivot axis **160** to aim the head **20** in a variety of desired directions (e.g., horizontally, upwardly, downwardly, etc.). As shown in FIGS. 1 and 3, the pivotal range of the head **20** relative to the body portion **30** is preferably greater than 90 degrees so that the head **20** can aim the illumination direction **140** downwardly toward the ground.

As shown in FIG. 2, when the legs **40**, **50**, **60** are in their closed positions, they form a longitudinally elongated flashlight handle **250** that defines a flashlight handle axis **260** that is parallel to, and preferably concentric with the longitudinal flashlight axis **230**. The flashlight handle **250** is shaped and sized to be held by a hand of the operator as in conventional flashlights. When the flashlight **10** is used like a conventionally shaped flashlight, the head **20** may be pivoted about

6

the head pivot axis **160** such that the illumination direction **140** is generally parallel to the flashlight handle axis **260**. When the legs **40**, **50**, **60** are in their closed positions, the legs **40**, **50**, **60** are preferably parallel to each other, the longitudinal flashlight axis **230**, and the flashlight handle axis **260**. The legs **40**, **50**, **60** are disposed adjacent to each other so that the overall flashlight handle **250** has an outer diameter that is small enough to allow an operator to comfortably grip it with one hand.

As shown in FIGS. 1-3, the body portion **30** includes a longitudinally elongated, rearwardly extending grip **280**. The legs **40**, **50**, **60** abut openings **280a** in the grip **280** when the legs **40**, **50**, **60** move into their closed positions. The grip **280** extends radially outwardly beyond the legs **40**, **50**, **60** to provide a gripping surface for the operator to hold on to. The openings **280a** preferably support the closed legs **40**, **50**, **60** against torsional movement and excessive inward pivotal movement. The grip **280** may be omitted without deviating from the scope of the present invention.

The legs **40**, **50**, **60** are equally spaced around the circumference of the body portion **30** (e.g., being spaced by 120 degrees from each other around the body portion **30**), but may alternatively be asymmetrically spaced without deviating from the scope of the present invention.

In the illustrated embodiment, the legs **40**, **50**, **60** pivotally connect to the head **20** via the pivotal connections between the legs **40**, **50**, **60** and the body portion **30**. Alternatively, the legs **40**, **50**, **60** may directly pivotally connect to the head **20** without deviating from the scope of the present invention.

In the illustrated embodiment, all three legs **40**, **50**, **60** pivotally connect to the body portion **30**. Alternatively, one of the legs **40**, **50**, **60**, the leg **40**, for example, may be rigidly connected to or integrally formed with the body portion **30** such that only the other two legs **50**, **60** pivotally connect to the body portion **30**. In such an embodiment, opening the two legs **50**, **60** would nonetheless position the three legs **40**, **50**, **60** in a tripod. The body portion **30**, however, would be skewed relative to a vertical direction of the resulting tripod.

While the illustrated flashlight **10** includes three legs **40**, **50**, **60**, additional leg(s) may be added without deviating from the scope of the present invention.

As shown in FIG. 4, the legs **40**, **50**, **60** are mechanically linked to one another so as to force them to open and close in unison. Each of the legs **40**, **50**, **60** includes a plurality of gear teeth **300** that are circumferentially spaced around the leg pivot axes **200**, **210**, **220**, respectively. A toothed rack **310** movably connects to the body portion **30** to allow relative axial movement along the flashlight axis **230**. The rack **310** includes a plurality of axially spaced teeth **320** that mesh with the gear teeth **300** of the legs **40**, **50**, **60** such that the gear teeth **300** operatively connect to each other via the rack **310**. Consequently, the rack **310** moves axially when the legs **40**, **50**, **60** move between their open and closed positions. The rack **310** therefore forces the legs **40**, **50**, **60** to move between their open and closed positions in unison.

While the illustrated teeth **300**, **320** are square, the teeth **300**, **320** may alternatively comprise any other suitable mating surface features (e.g., spiral teeth, mating protrusions and extrusions, etc.) without deviating from the scope of the present invention.

While the rack **310** is used to operatively connect the legs **40**, **50**, **60**, the legs **40**, **50**, **60** may alternatively include teeth that directly mesh with each other to force the legs **40**, **50**, **60** to pivot in unison with each other. Moreover, any other suitable mechanical link may be used to force the legs **40**, **50**, **60** to pivot in unison with each other. While synchronous movement of the legs **40**, **50**, **60** is preferred, the mechanical

link may nonetheless be omitted entirely such that the legs 40, 50, 60 pivot independently without deviating from the scope of the present invention.

As shown in FIG. 4, a compression spring 350 operatively extends between the body portion 30 and the rack 310 to bias the rack 310 in a rearward axial direction that moves the legs 40, 50, 60 toward their open positions. Consequently, the legs 40, 50, 60 are spring-biased toward their open positions. While the illustrated spring 350 is a compression spring, the spring 350 may alternatively comprise any other suitable spring (e.g., tension spring, torsion spring, rubber band, rubber element, etc.) without deviating from the scope of the present invention. While the rack 310 and spring 350 are used to spring bias the legs 40, 50, 60 in the illustrated flashlight 10, the legs 40, 50, 60 may alternatively be spring biased using any other suitable mechanism (e.g., torsional springs disposed between the legs 40, 50, 60 and the body portion 30 at the leg pivot axes 200, 210, 220, resilient rubber element(s) such as a rubber bands disposed between the legs 40, 50, 60 and the body portion 30).

As shown in FIGS. 3 and 4, the flashlight 10 also includes an operator-releasable detent/lock mechanism 400 that selectively holds the legs 40, 50, 60 in their closed positions. The detent mechanism 400 includes a spring-loaded activation button 410, a longitudinally elongated activation rod 420, a magnet 430 (see FIGS. 2 and 3), and metallic objects 440 (see FIGS. 1-3).

As shown in FIG. 4, the activation button 410 is slidably mounted to the body portion 30 for relative vertical movement (as viewed in FIGS. 3 and 4). A compression spring 450 extends between the body portion 30 and the button 410 to urge the button in an upward direction as viewed in FIGS. 3 and 4. The activation rod 420 extends longitudinally rearwardly from the activation button 410 and is slidably mounted to the body portion 30 for relative longitudinal movement. A compression spring 460 extends between the rod 420 and the body portion 30 to urge the rod 420 forward (to the left as shown in FIGS. 3 and 4). As best shown in FIG. 4, the button 410 and rod 420 include cam surfaces 410a, 420a, respectively, that abut each other and are skewed 45 degrees relative to the axes of the button 410 and rod 420. Accordingly, downward depression of the button 410 moves the rod 420 rearwardly from a normally closed position (shown in FIG. 2) to a rearward open position.

The magnet 430 (or other magnetic material) is mounted to a rearward end of the rod 420. The metal objects 440 are disposed on inward sides of the legs 40, 50, 60. The illustrated metal objects 440 are screws, but may alternatively comprise any other ferromagnetic metal. As shown in FIG. 2, when the rod 420 is in its forward, normally closed position, the magnet 430 and metal objects 440 are aligned such that the magnet 430 tends to keep/lock the legs 40, 50, 60 in their closed positions. However, the magnetic connection can be broken by pulling a leg 40, 50, 60 away from the other legs 40, 50, 60 or body portion 30.

To open the flashlight 10 into a tripod position, the operator depresses the activation button 410, which moves the rod 420 and magnet 430 rearwardly, which moves the magnet 430 longitudinally away from the metal objects 440, thereby allowing the legs 40, 50, 60 to open under the biasing force of the spring 350. When the operator releases the button 410, the rod 420 and magnet 430 return to their forward normal positions. To close the tripod of the flashlight 10, the operator moves the legs 40, 50, 60 inwardly until the metal objects 440 magnetically connect to the magnet 430. The detent mechanism 400 remains physically

mounted to the flashlight 10 regardless of whether the legs 40, 50, 60 are open or closed.

While the magnet 430 is disposed on the rod 420 and the metal objects 440 are disposed on the legs 40, 50, 60 in the illustrated embodiment, magnets could alternatively be disposed on the legs 40, 50, 60 and a metal object disposed on or defined by the rod 420 without deviating from the scope of the present invention.

While the illustrated detent mechanism 400 utilizes a magnet 430 and metal objects 440, the detent mechanism could alternatively use any other suitable fastening system. For example, hooks on the legs 40, 50, 60 could engage a corresponding surface feature at the rearward end of the rod 420 until rearward movement of the rod 420 disengages the surface feature from the legs. Moreover, any other suitable detent mechanism may be used to releasably secure the legs 40, 50, 60 in their closed positions (e.g., a rubber band wrapped around the legs 40, 50, 60). Furthermore, the flashlight 10 may omit a detent mechanism altogether without deviating from the scope of the present invention.

As shown in FIG. 3, each of the legs 40, 50, 60 includes a battery source holder 600 that includes electrical leads that are constructed and arranged to electrically connect to positive and negative leads of a battery source 610. In the illustrated flashlight 10, each battery source 610 comprises three individual cells 610a aligned in series. The illustrated cells 610a are AA cells. However, the battery source holders 600 may alternatively be shaped to accommodate any other suitable battery type. Moreover, the battery sources 610 may alternatively comprise single cells without deviating from the scope of the present invention. The battery source holders 600 are defined by tubes that are formed by the legs 40, 50, 60. The tubular legs 40, 50, 60 are shaped and sized to accommodate the battery sources 610 therein. Alternatively, the battery source holders 600 may be discrete from the legs 40, 50, 60 and subsequently mounted to the legs 40, 50, 60 via any suitable fastening mechanism.

Removable end caps 630 are screwed or otherwise fastened to the ends of the legs 40, 50, 60 to releasably secure the battery sources 610 within the battery holders 600.

The legs 40, 50, 60 preferably comprise an electrically conductive material that provides an electrical path between the front and rear of each battery source holder 600 so that additional wires need not extend over the longitudinal length of each leg 40, 50, 60.

While battery source holders 600 are disposed in each of the legs 40, 50, 60 of the illustrated flashlight 10, battery source holders may alternatively be disposed in just one or two of the legs 40, 50, 60 without deviating from the scope of the present invention.

FIG. 5 illustrates an electrical circuit 650 of the flashlight 10. As shown in FIGS. 1-5, the electrical circuit includes an on/off switch 660 for turning the flashlight 10 on and off. The illustrated switch 660 is a depressible momentary switch, but may alternatively comprise any other suitable switch. As shown in FIG. 5, the battery sources 610 and associated battery source holders 600 are connected to each other in a parallel circuit and adapted to connect to the light source 100 in parallel.

As shown in FIG. 5, a diode 670 is disposed in series with each of the battery sources 610 and battery source holders 600. The diodes 670 discourage electricity from flowing between the battery sources 610. Such electricity flow has plagued conventional parallel battery circuits because it discharges the interconnected batteries. As shown in FIG. 5, any complete electrical path between any two of the battery sources 610 comprises two oppositely biased diodes 670 in

series with each other. Consequently, the battery source holders **600** and battery sources **610** remain in a closed parallel circuit with each other without discharging each other.

The parallel circuit formed between the battery source holders **600** enable the flashlight **10** to efficiently use the electricity stored in the battery sources **610**. One or two of the battery source holders **600** may be left empty without reducing the light output of the light source **100**. Instead, omitting a battery source(s) **610** from up to two of the battery source holders **600** will merely result in decreased flashlight battery life. The flashlight **10** may therefore be operated with one, two, or all three of the battery source holders **600** filled with battery sources **610**. One or even two of the battery source holders **600** may be eliminated altogether without deviating from the scope of the present invention.

The diodes **670** also protect the battery sources **610** if one or more of the battery sources **610** are placed in the battery source holders **600** backwards (i.e., negative battery source **610** leads connected to positive battery source holder **600** leads and positive battery source **610** leads connected to negative battery source holder **600** leads). In a conventional parallel circuit, such backward alignment would create a closed series circuit between the battery sources **610** that would quickly discharge the battery sources. However, the presence of the diodes **670** prevents such current flow between such improperly connected battery sources **610**.

As shown in FIG. 5, the circuit **650** provides for the selective lighting of one, three, or six of the LEDs **100a**. Depressing the switch **660** once electrically connects the battery sources **610** to one of the LEDs **100a** on (a first closed switch **660** position). Depressing the switch **660** a second time electrically connects the battery sources **610** to an additional two of the LEDs **100a** (a second closed switch **660** position). Depressing the switch **660** a third time electrically connects the battery sources **610** to all six LEDs **100a** (a third closed switch **660** position). Depressing the switch **660** a fourth time electrically disconnects the battery sources **600** from the LEDs **100a** (i.e., an open switch **660** position).

The LEDs **100a** are connected to each other in parallel such that the light intensity of each LED **100a** remains constant regardless of how many of the LEDs **100a** are electrically connected to the battery sources **610**. However, connection of a greater number of LEDs **100a** to the battery sources **610** will discharge the battery sources **610** more rapidly. Flashlight **10** battery life is maximized when all three battery sources **610** are used to light just one of the LEDs **100a**.

As shown in FIGS. 1-5, the circuit **650** includes a low-battery-level indicating LED **680**. The circuit **650** turns on the LED **680** when the battery level of the connected battery sources **610** is within 10% of being fully discharged. The LED **680** indicates to the operator that the operator may want to use just one of the six LEDs **100a** to conserve battery source **610** life.

FIG. 6 illustrates an electrical circuit **700** according to an alternative embodiment of the present invention. The circuit **700** may replace the circuit **650** without deviating from the scope of the present invention. In the circuit **700**, the battery sources **610** (and battery source holders **600**) and light source **100** are connected to each other in parallel. The on/off switch **660** is electrically disposed between the light source **100** and the battery sources **610**, in series with the light source **100**. The switch **660** may be a momentary switch or a two position switch. The battery sources **610** are electri-

cally connected to the light source **100** when the switch **660** is closed (ON), and the battery sources **610** are electrically disconnected from the light source **100** when the switch **660** is in the open position (OFF). Diodes **670** are disposed in series with each of the battery sources **610** to discourage the parallel battery sources **610** from discharging each other.

FIG. 7 illustrates a flashlight **800** according to an alternative embodiment of the present invention. Because the flashlight **800** is similar to the flashlight **10**, a redundant description of the redundant features is omitted.

The flashlight **800** includes a light source **810**, which is mounted to a head **820**. The head **820** pivotally connects to a body portion **830**. Three legs **840**, **850**, **860** pivotally connect to the body portion **830** so that the legs **840**, **850**, **860** can pivot between a closed position, in which the legs form a handle of the flashlight **800**, and an open tripod position (shown in FIG. 7).

A detent mechanism **870** releasably secures the legs **840**, **850**, **860** in their closed positions. The detent mechanism **870** comprises a flexible cord **880**, openings **890** in the base of each leg **840**, **850**, **860**, and a clasp **900**. The clasp **900** slidably engages two spaced portions of the cord **880** so as to form a length/loop of cord **880** on one side of the clasp **900**. The length of cord **880** on the one side of the clasp **900** threads sequentially through the openings **890** in the base of each of the legs **840**, **850**, **860**. The clasp **900** releasably and selectively clamps the cord **880** to selectively vary a length/perimeter of the length of the cord **880** on the one side of the clasp **900**. By reducing the length of cord **880** on the one side of the clasp **900** and clamping the clasp **900**, an operator can close the legs **840**, **850**, **860** and secure them in the closed position such that the legs **840**, **850**, **860** for the flashlight's handle. By increasing the length, the operator can allow the legs **840**, **850**, **860** to open into their tripod position.

The flexible cord **880** comprises any suitable elongated, flexible material (e.g., rope, twine, plastic, string, ribbon, rubber, chain link, woven metal, wire, etc.).

As shown in FIG. 7, when the loop of cord **880** has its largest length, the cord **880** prevents the legs **840**, **850**, **860** from opening beyond their predetermined open position. The detent mechanism **880** thereby preferably secures the legs **840**, **850**, **860** in their open position. As in the flashlight **10**, the legs **840**, **850**, **860** may move in unison and be spring biased toward their open position. Alternatively, the legs may freely independently pivot such that the operator, himself/herself, manually moves each leg **840**, **850**, **860** between its open and closed position.

One or both ends of the cord **880** connect to a key ring **910** such that the flashlight **800** and key ring **910** create a key chain. The entire flashlight **800** is preferably relatively small so that it can be conveniently used as a key chain. When the legs **840**, **850**, **860** are in their closed positions, the cord forms a flexible connector between the flashlight **800** and the key ring **910**. While the illustrated key ring **910** connects to the cord **880**, the key ring **910** may alternatively connect to any other suitable part of the flashlight **800** (e.g., the head **820**, one of the legs **840**, **850**, **860**, etc.) without deviating from the scope of the present invention.

The light source **810** comprises a single LED, but may alternatively comprise any other suitable light source (multiple LEDs, tungsten bulb, etc.). Three button cell batteries (not shown) are disposed in the head **820** and define a battery source for the flashlight **800**. The battery source electrically connects to the light source **810** via an ON/OFF switch **920**. Alternatively, battery source(s) (e.g., single AAA batteries) may be disposed in one, two, or three of the legs **840**, **850**,

11

**860** and connect in series or in parallel to the light source **810** via the switch **920** to power the flashlight **800**.

Throughout this text and appended claims, the term “generally perpendicular” is intended to mean that the referenced directions are within five degrees of perpendicular to each other (i.e., form an angle with each other of between 85 and 95 degrees).

The foregoing description is included to illustrate the operation of the preferred embodiments and is not meant to limit the scope of the invention. To the contrary, those skilled in the art should appreciate that varieties may be constructed and employed without departing from the scope of the invention, aspects of which are recited by the claims appended hereto.

What is claimed is:

**1.** A handheld flashlight comprising: a head including a light source; first, second, and third legs coupled with the head and disposed about a longitudinal axis of the flashlight, wherein at least two of the legs, including at least the first leg and the second leg, are pivotally movable between closed and open positions, wherein the first, second, and third legs are positioned to support the head in an elevated position when the at least two of the pivotal legs are in their open positions; and first and second battery source holders disposed within the first and second pivotal legs, respectively, the battery source holders being arranged so as to be electrically connectable to the light source, wherein the first and second pivotal legs have removable end caps that enable the first and second battery source holders to receive batteries therein, and wherein each of the first, second, and third legs are inclined with respect to the longitudinal axis of the flashlight when the flashlight is in the open position.

**2.** The flashlight of claim **1**, wherein the at least two of the legs comprises first, second, and third pivotal legs.

**3.** The flashlight of claim **2**, further comprising a third battery source holder disposed on the third leg and adapted to electrically connect to the light source.

**4.** The flashlight of claim **1**, wherein the first, second, and third legs form a tripod when the at least two of the legs are in their open positions.

**5.** The flashlight of claim **1**, wherein the at least two of the legs comprises the first and second legs, and wherein the first and second battery source holders pivotally move with the first and second legs, respectively, relative to the head.

**6.** The flashlight of claim **1**, wherein the first and second legs each comprise a tube constructed to hold a battery source therein.

**7.** The flashlight of claim **1**, wherein the first, second, and third legs are generally parallel to each other when the at least two of the legs are in the closed position.

**8.** The flashlight of claim **1**, wherein: the first, second, and third legs together form a longitudinally elongated flashlight handle when the at least two of the legs are in the closed position, and the head defines an illumination direction that is generally parallel or co-linear with the longitudinal axis of the flashlight.

**9.** The flashlight of claim **8**, wherein the flashlight handle is shaped and sized to be held by a hand of an operator.

**10.** The flashlight of claim **1**, further comprising a body portion connected to the head, wherein the at least two of the legs pivotally connect to the head via pivotal connections between the legs and the body portion.

**11.** The flashlight of claim **10**, wherein the body portion defines the longitudinal axis, and wherein the first, second, and third legs are generally parallel to the flashlight axis when the at least two of the legs are in the closed position.

12

**12.** The flashlight of claim **10**, wherein the head defines an illumination direction, and wherein the head movably connects to the body portion to permit an operator to selectively redirect the illumination direction relative to the body portion.

**13.** The flashlight of claim **12**, wherein the movable connection between the head and body comprises a pivotal connection that defines a head pivot axis that is generally perpendicular to the illumination direction.

**14.** The flashlight of claim **13**, wherein the head and body portions comprise mating frictional surface features that resist pivotal movement of the head relative to the body portion about the head pivot axis.

**15.** The flashlight of claim **1**, wherein the at least two of the legs are spring-biased toward their open positions, and wherein the flashlight further comprises an operator-releasable detent mechanism that releasably holds the at least two of the legs in their closed positions.

**16.** The flashlight of claim **1**, wherein the at least two of the legs are mechanically linked to each other so as to force the at least two of the legs to move between their open and closed positions in unison.

**17.** The flashlight of claim **1**, further comprising a body portion through which the first, second, and third legs are coupled with the head.

**18.** The flashlight of claim **1**, further comprising a fourth leg disposed about the longitudinal axis of the flashlight and coupled with the head.

**19.** A keychain comprising the flashlight of claim **1** and a key ring connected to the flashlight.

**20.** A handheld flashlight comprising: a head including a light source: first, second, and third legs coupled with the head, wherein at least two of the legs are pivotally movable between closed and open positions, wherein the first, second, and third legs are positioned to support the head in an elevated position when the at least two of the pivotal legs are in their open positions; first and second battery source holders disposed within the first and second pivotal legs, respectively, the battery source holders being arranged so as to be electrically connectable to the light source, wherein each of the at least two pivotal legs includes gear teeth disposed thereon, the gear teeth operatively connecting to one another to force the at least two of the legs to pivot in unison relative to the head; a body portion connected to the head, wherein the at least two of the legs pivotally connect to the head via a pivotal connection between the legs and the body portion; and a rack mounted to the body to allow the rack to move longitudinally relative to the body, the rack having a plurality of spaced teeth, wherein the teeth of the rack mesh with the gear teeth of the at least two of the legs such that the gear teeth of the at least two of the legs operatively connect to each other via the rack, and wherein the rack moves longitudinally when the at least two of the legs move between their open and closed positions.

**21.** The flashlight of claim **20**, further comprising a spring operatively extending between the body portion and the rack to bias the rack in a longitudinal direction that moves the at least two of the legs into their open positions.

**22.** A keychain comprising: a flashlight comprising a head including a light source and at least one battery; first, second, and third legs each connected to the head at a fixed longitudinal position with respect to the flashlight, wherein at least two of the legs are pivotally movable between closed and open positions, wherein the first, second, and third legs are positioned to support the head in an elevated position when the at least two of the legs are in their open positions; a body portion comprising first, second, and third longitu-

13

dinal grooves arranged therein that receive the first, second, and third legs, respectively, when the at least two legs are in the closed position, wherein pivot axes of at least two of the legs retain their longitudinal positions with respect to the flashlight during pivotal movement of the at least two legs; and a key ring connected to the flashlight.

23. A flashlight, comprising: a body portion; a light source pivotally movable about a first pivot axis relative to the body portion; and at least three legs, at least two of which being pivotally moveable about respective second pivot axes relative to the body portion; the pivotally moveable legs being moveable between a flashlight configuration in which the legs extend generally alongside a longitudinal axis of the flashlight, and a deployed configuration in which the pivotally moveable legs are inclined relative to the longitudinal axis, wherein the second pivot axes are longitudinally fixed relative to the first pivot axis when the legs are moved between a flashlight configuration and a deployed configuration; and a handgrip portion having a central portion thereof disposed generally along the longitudinal axis, the central handgrip portion having longitudinal grooves arranged thereon so as to receive the pivotally moveable legs when the legs are in the flashlight configuration.

24. The flashlight of claim 23, wherein the handgrip portion is shorter than the legs, the central handgrip portion remaining disposed generally along the longitudinal axis when the legs are disposed in the deployed configuration.

25. The flashlight of claim 23, wherein at least one of the legs comprise a battery source holder.

26. A flashlight, comprising: a body portion; a light source pivotally movable relative to the body portion; at least three legs, at least two of which being pivotally connected to the body portion by respective pivot assemblies; and a handgrip portion having a central portion thereof disposed generally along a longitudinal axis of the flashlight, the central handgrip portion having longitudinal grooves arranged thereon so as to receive the at least two legs when the legs are in a flashlight configuration, the at least two legs being moveable

14

between a the flashlight configuration in which the legs extend generally within the longitudinal grooves, and a deployed configuration in which the legs are inclined relative to the longitudinal axis, wherein the pivot assemblies comprise a respective stop structure that defines a limit of inclination of the associated leg when the legs are in the deployed configuration.

27. The flashlight of claim 26, wherein the at least three legs are connected to the body portion only via the respective pivot assemblies.

28. The flashlight of claim 26, wherein at least one of the at least three legs comprise a battery source holder.

29. The flashlight of claim 26, wherein the at least three legs comprise a fourth leg pivotally connected to the body portion.

30. The flashlight of claim 26, wherein the stop structures respectively comprise abutting surfaces on the body portion and the associated leg.

31. The flashlight of claim 26, wherein at least two of the at least three legs are spring-biased toward the deployed configuration.

32. The flashlight of claim 26, further comprising an operator-releasable detent mechanism that releasably holds the at least two of the at least three legs in the flashlight configuration.

33. The flashlight of claim 26, wherein at least two of the at least three legs are configured to move in unison between the flashlight configuration and the deployed configuration.

34. The flashlight of claim 27, wherein the handgrip portion is shorter than the legs, the handgrip portion remaining disposed generally along the longitudinal axis when the legs are disposed in the deployed configuration.

35. The flashlight of claim 26, wherein the pivot assemblies are arranged at an end of the body portion adjacent to the light source.

\* \* \* \* \*