



US00D540136S

(12) **United States Design Patent**
Aguirre et al.

(10) **Patent No.:** **US D540,136 S**

(45) **Date of Patent:** **** Apr. 10, 2007**

(54) **FASTENING TOOL**

(75) Inventors: **Juan Ignacio Aguirre**, East Greenwich, RI (US); **Adam Tillinghast**, South Kingstown, RI (US); **Prudencio S. Canlas, Jr.**, North Kingstown, RI (US); **Joseph Martone**, Bristol, CT (US)

(73) Assignee: **Stanley Fastening Systems, L.P.**, East Greenwich, RI (US)

(**) Term: **14 Years**

(21) Appl. No.: **29/251,612**

(22) Filed: **Jan. 11, 2006**

(51) **LOC (8) Cl.** **08-05**

(52) **U.S. Cl.** **D8/69**

(58) **Field of Classification Search** D8/14.1, D8/61, 62, 63, 64, 65, 66, 67, 68, 69, 70; 81/57.11, 429, 464, 465, 466, 469, 489; 173/13, 173/104, 114, 168, 169, 170, 171, 178, 201, 173/211, 213, 217; 408/20, 124, 125, 234, 408/241 R; 451/358; 310/50; 227/8, 113, 227/114, 120, 130, 136, 142

See application file for complete search history.

(56) **References Cited**

U.S. PATENT DOCUMENTS

D338,606 S	*	8/1993	Oda	D8/69
5,322,189 A	*	6/1994	Oda	227/120
D383,657 S	*	9/1997	Kaiser	D8/69
D383,658 S	*	9/1997	Kaiser	D8/69
D416,182 S	*	11/1999	Kaiser et al.	D8/69
D416,775 S	*	11/1999	Hwang et al.	D8/69
D435,206 S	*	12/2000	Etter et al.	D8/68
6,186,386 B1	*	2/2001	Canlas et al.	227/8
6,189,759 B1	*	2/2001	Canlas et al.	227/120
D447,031 S	*	8/2001	Oh	D8/63
6,371,348 B1	*	4/2002	Canlas et al.	227/8
D461,694 S	*	8/2002	Buck	D8/68

6,431,429 B1	*	8/2002	Canlas et al.	227/130
6,494,355 B2	*	12/2002	Adachi et al.	227/120
D477,976 S	*	8/2003	Liu	D8/68
D479,110 S	*	9/2003	Nolan et al.	D8/68
6,612,476 B2	*	9/2003	Smolinski	173/170
6,729,524 B1	*	5/2004	Yao	227/120
6,808,101 B2	*	10/2004	Laubach et al.	227/120
D499,623 S	*	12/2004	Buck	D8/68
D500,655 S	*	1/2005	Leasure	D8/69
D501,383 S	*	2/2005	Fang et al.	D8/68
D501,778 S	*	2/2005	Liang	D8/68
D514,911 S	*	2/2006	Thomas et al.	D8/69
2001/0030218 A1	*	10/2001	Adachi et al.	227/120
2002/0060233 A1	*	5/2002	Akiba	227/120
2005/0001007 A1	*	1/2005	Butzen et al.	227/130
2005/0023323 A1	*	2/2005	Jalbert et al.	227/120
2006/0213946 A1	*	9/2006	Shkolnikov	227/120

* cited by examiner

Primary Examiner—T. Chase Nelson

(74) *Attorney, Agent, or Firm*—Pillsbury Winthrop Shaw Pittman LLP

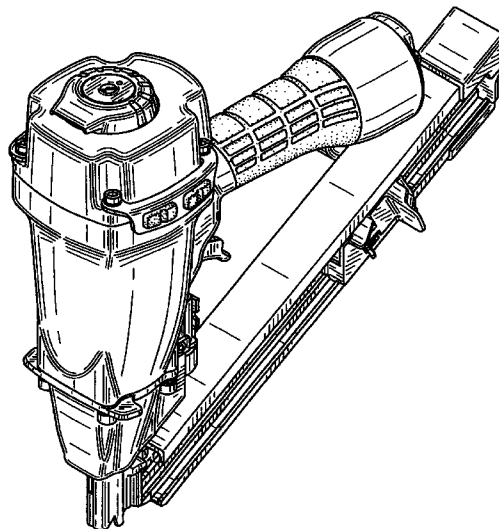
(57) **CLAIM**

The ornamental design for a fastening tool, as shown and described.

DESCRIPTION

FIG. 1 is a perspective illustration from the front and left side, of a fastening tool according to our design; FIG. 2 is a left side elevational view thereof; FIG. 3 is a right side elevational view thereof; FIG. 4 is a front elevational view thereof; FIG. 5 is a rear elevational view thereof; FIG. 6 is a top plan view thereof; and, FIG. 7 is a bottom plan view thereof. In FIGS. 1–7, broken lines showing structures are for illustrative purposes only and form no part of the claimed design.

1 Claim, 5 Drawing Sheets



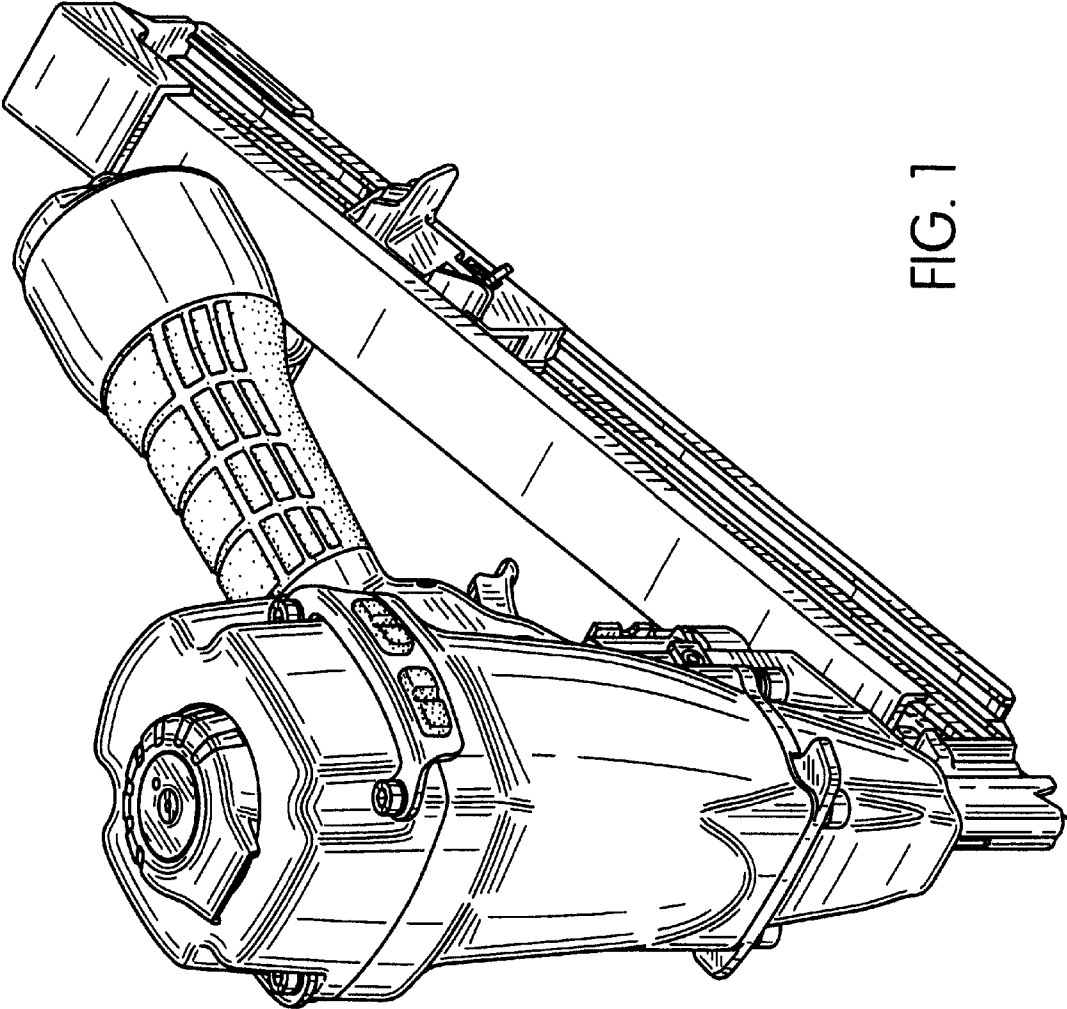


FIG. 1

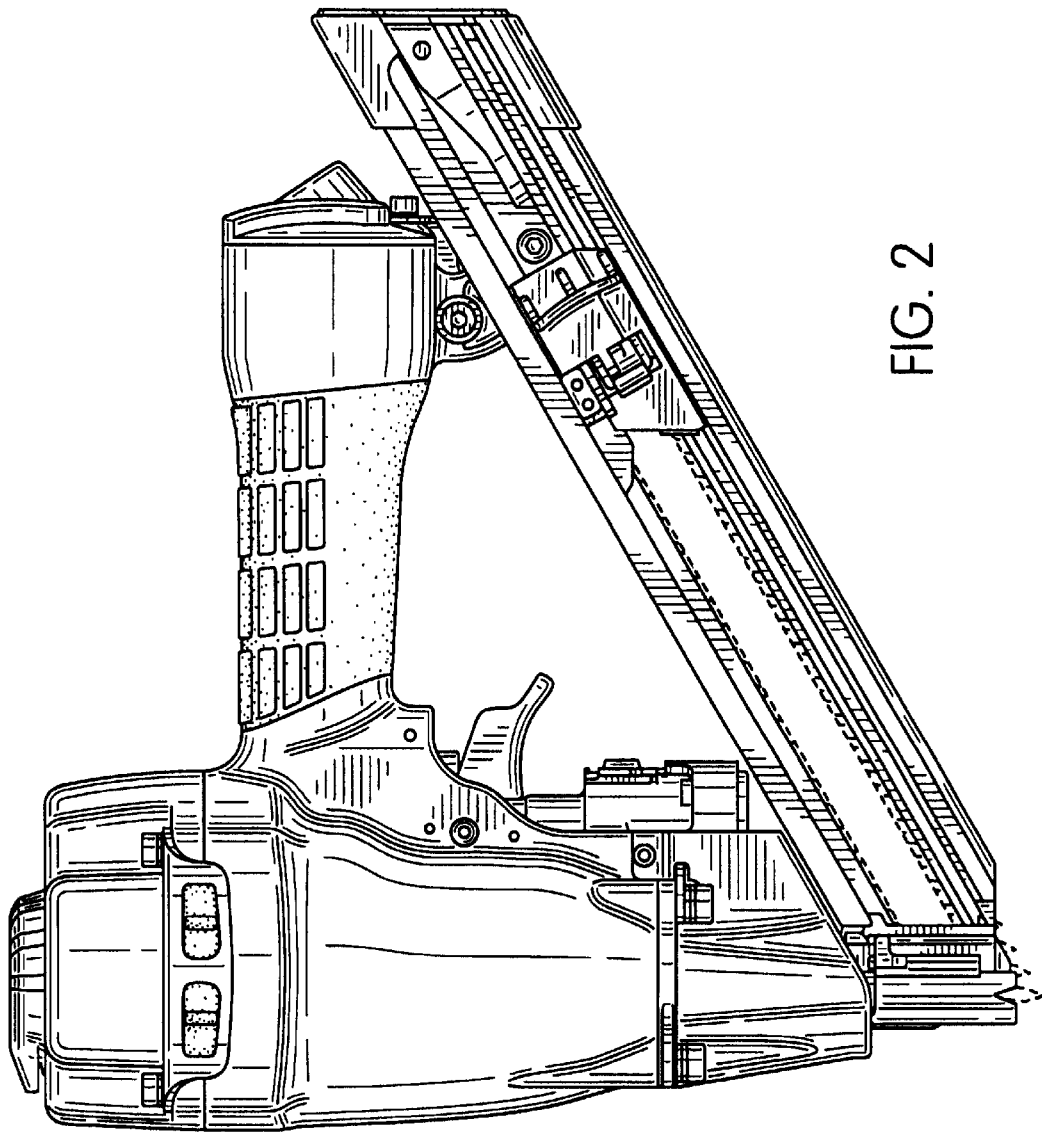


FIG. 2

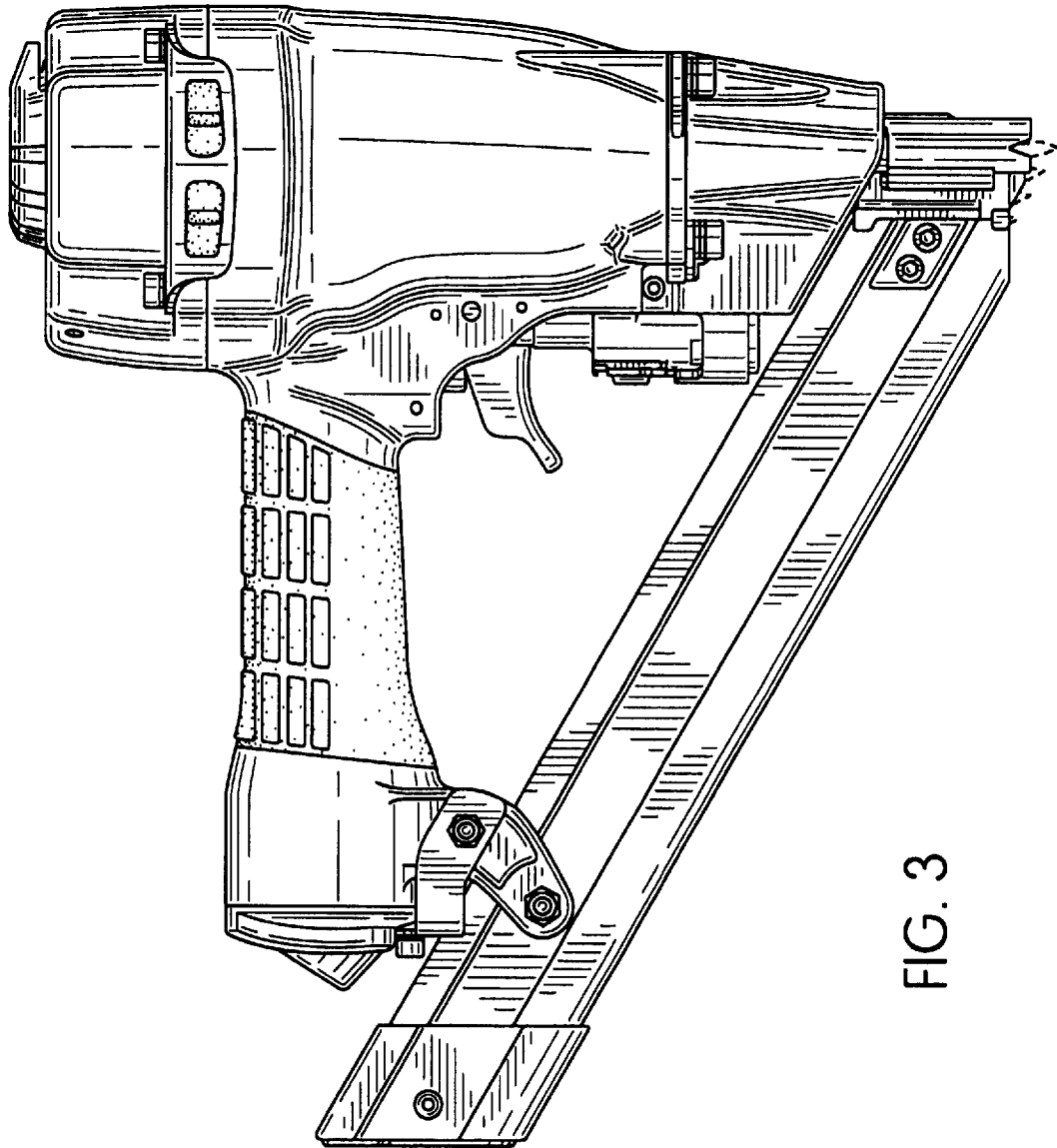


FIG. 3

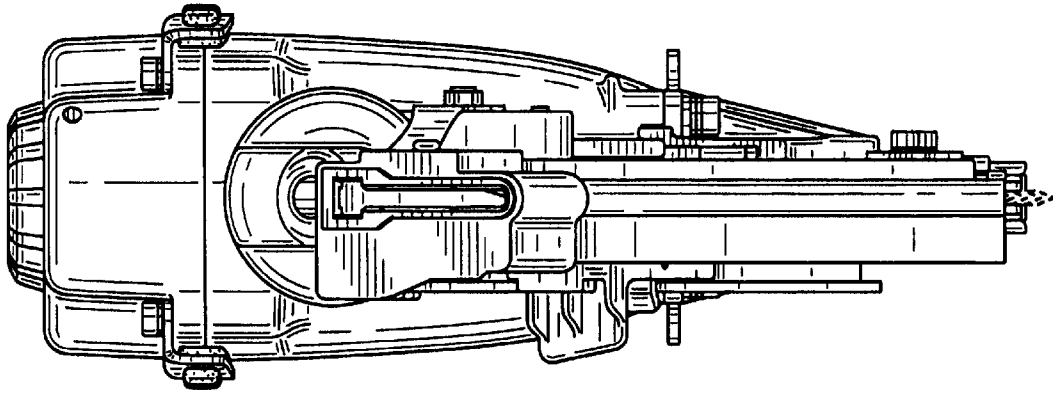


FIG. 5

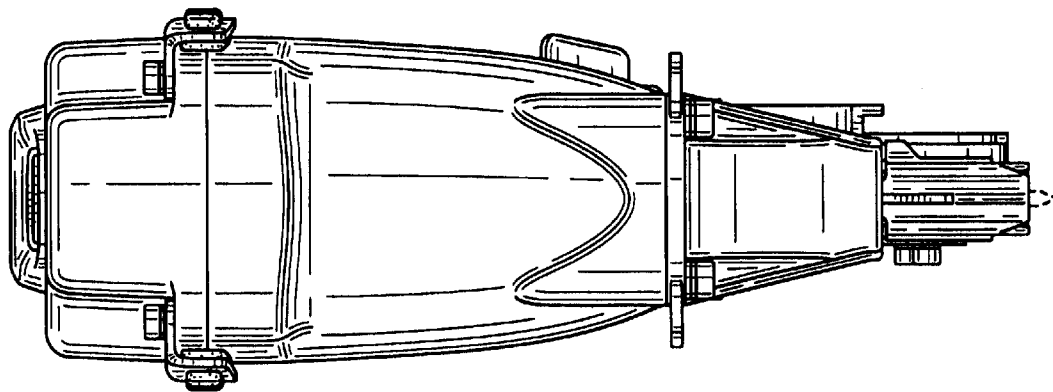


FIG. 4

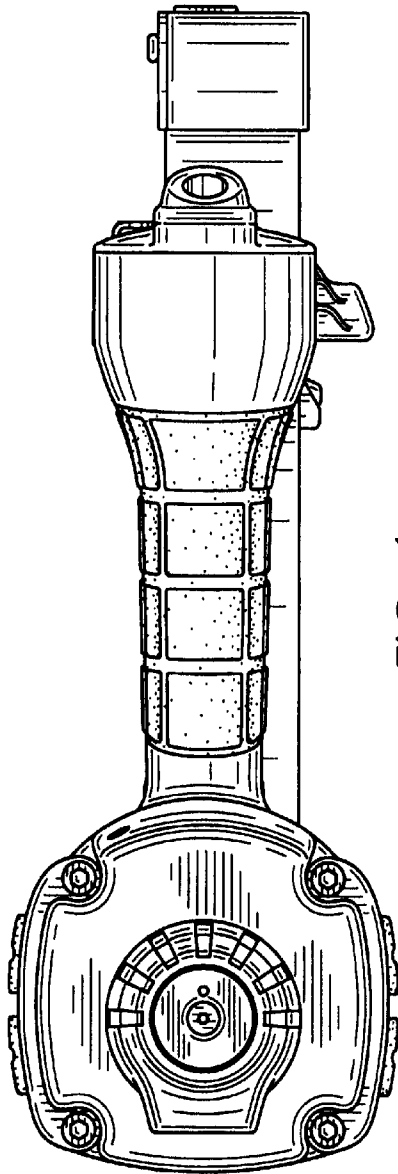


FIG. 6

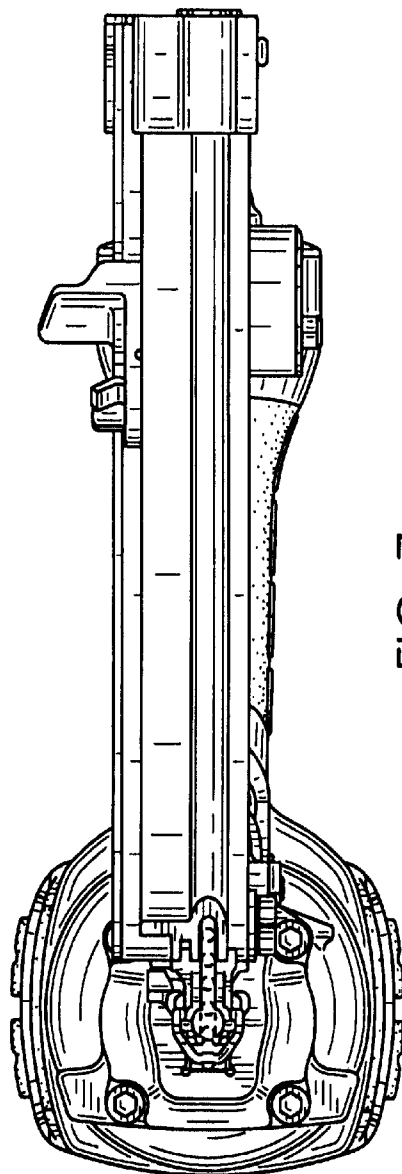


FIG. 7