



US00D412857S

United States Patent [19]

[11] Patent Number: Des. 412,857

Howard et al.

[45] Date of Patent: ** Aug. 17, 1999

[54] LASER TORPEDO LEVEL

[75] Inventors: **John D. Howard**, Brewster, N.Y.;
Joseph R. Martone; John M. Staton,
both of Bristol, Conn.; **Gary E. Van
Deursen**, Avon, Conn.

[73] Assignee: **The Stanley Works**, New Britain,
Conn.

[**] Term: **14 Years**

[21] Appl. No.: **29/093,140**

[22] Filed: **Sep. 4, 1998**

[51] LOC (6) Cl. **10-04**

[52] U.S. Cl. **D10/69**

[58] Field of Search D10/69; 33/360-395

[56] **References Cited**

U.S. PATENT DOCUMENTS

- D. 224,663 8/1972 De Jong .
- D. 280,185 8/1985 Wright .
- D. 301,553 6/1989 Makofsky et al. .
- D. 332,226 1/1993 Hutchens et al. .
- D. 355,134 2/1995 Kennedy .
- D. 401,169 11/1998 Smith D10/69
- 1,270,074 6/1918 Veenstra .
- 1,585,563 5/1926 Schlattau .

- 2,308,206 1/1943 Poland .
- 2,789,363 4/1957 Miley .
- 2,877,555 3/1959 Visockis, Jr. .
- 3,522,657 8/1970 Metrulis .
- 3,897,637 8/1975 Genho .
- 5,182,863 2/1993 Rando .
- 5,519,942 5/1996 Webb .
- 5,531,031 7/1996 Green 33/365
- 5,561,911 10/1996 Martin .
- 5,575,073 11/1996 Von Wedemayer .
- 5,594,993 1/1997 Tager et al. .

Primary Examiner—Antoine Duval Davis
Attorney, Agent, or Firm—Pepe & Hazard LLP

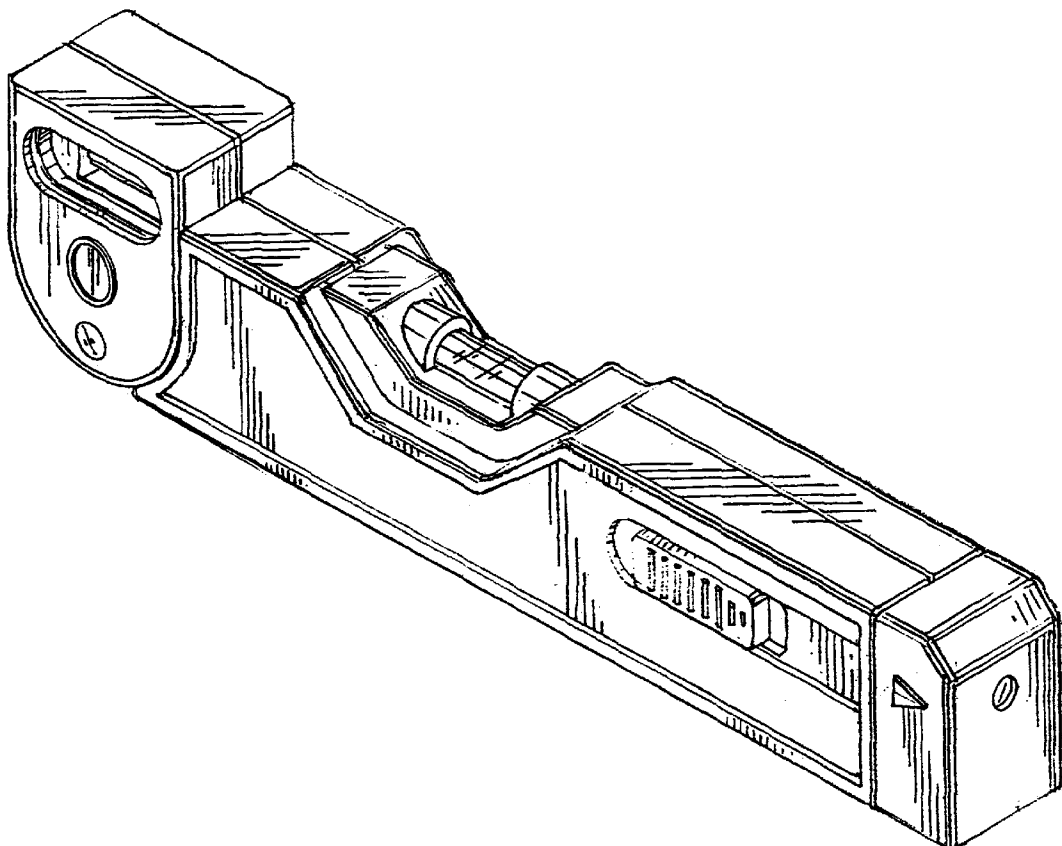
[57] **CLAIM**

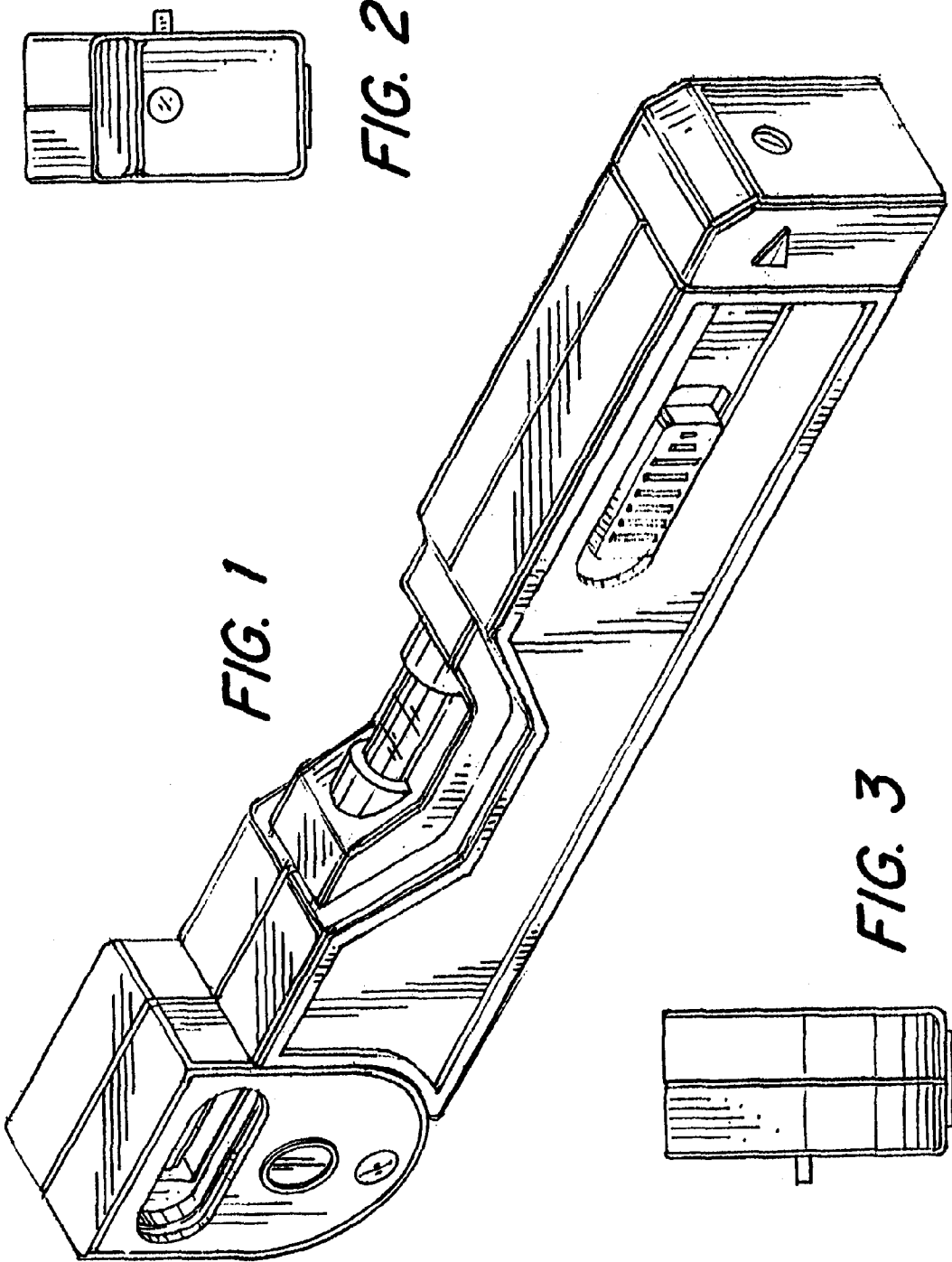
The ornamental design for a laser torpedo level, as shown and described.

DESCRIPTION

FIG. 1 is a perspective view of a laser torpedo level showing our new design;
 FIG. 2 is a front end elevational view thereof;
 FIG. 3 is a rear end elevational view thereof;
 FIG. 4 is a top plan view thereof;
 FIG. 5 is a side elevational view thereof;
 FIG. 6 is a bottom view thereof; and,
 FIG. 7 is a elevational view of the side opposite that seen in FIG. 5 and with the level inverted.

1 Claim, 2 Drawing Sheets





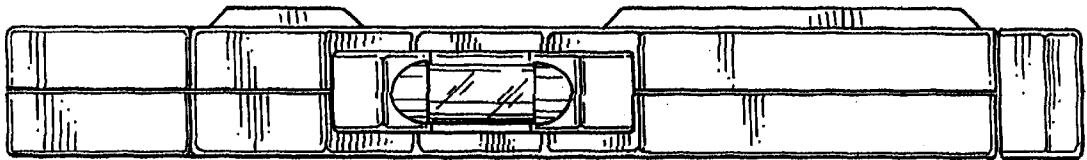


FIG. 4

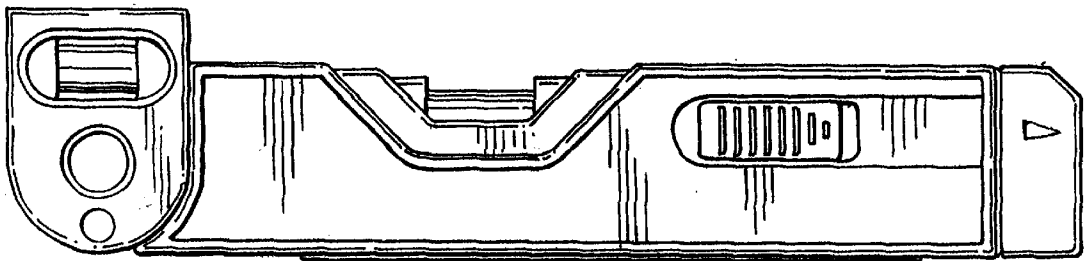


FIG. 5

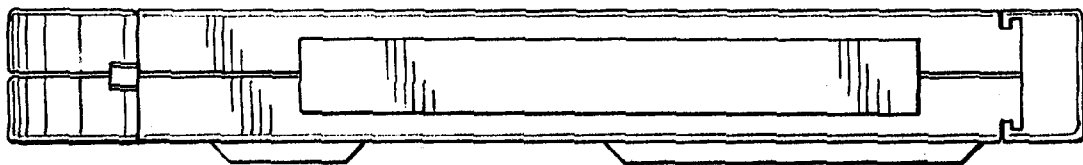


FIG. 6

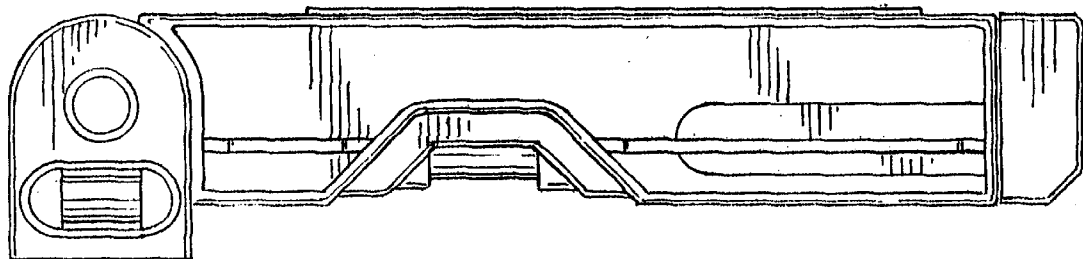


FIG. 7