



US00D420972S

# United States Patent [19]

[11] Patent Number: **Des. 420,972**

Brecher et al.

[45] Date of Patent: **\*\* Feb. 22, 2000**

- [54] **ROTATING LASER** 4,767,208 8/1988 Cain et al. .... 356/138
- 4,815,840 3/1989 Benayad-Cherif et al. .... 356/141.3 X
- [75] Inventors: **Matias Brecher**, W. Hartford; **John D. Howard**, Woodbury; **Joseph Martone**, Bristol, all of Conn. 4,830,489 5/1989 Cain et al. .... 356/141.1 X
- 5,689,330 11/1997 Gerard et al. .... 356/138
- 5,898,490 4/1999 Ohtomo et al. .... 356/141.3

[73] Assignee: **The Stanley Works**, New Britain, Conn.

*Primary Examiner*—Joel Sincavage  
*Attorney, Agent, or Firm*—Pillsbury Madison & Sutro LLP

[\*\*] Term: **14 Years**

### [57] CLAIM

[21] Appl. No.: **29/092,232**

The ornamental design for a rotating laser, as shown and described.

[22] Filed: **Aug. 14, 1998**

### DESCRIPTION

[51] **LOC (7) Cl.** ..... **13-02**

[52] **U.S. Cl.** ..... **D13/101**

[58] **Field of Search** ..... D13/101; 356/141.1, 356/141.3, 138, 152.1; 33/DIG. 21

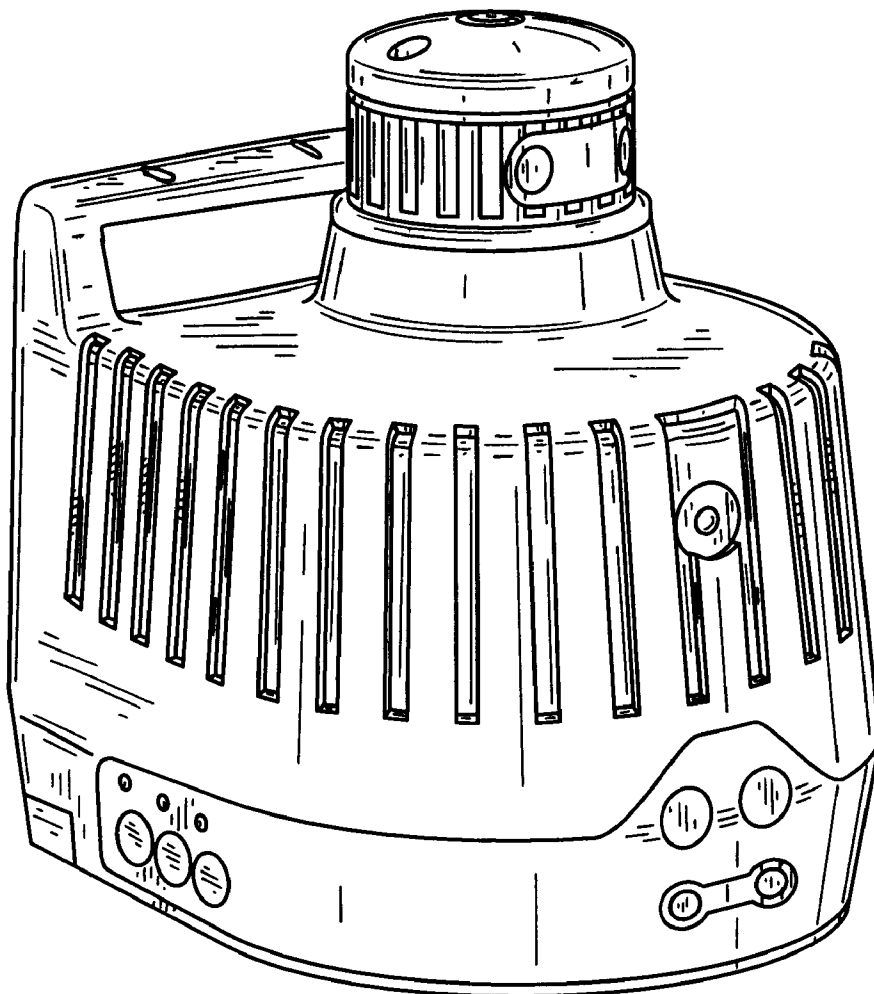
FIG. 1 is a perspective view of a rotating laser showing our new design, looking down at the front and right side thereof; FIG. 2 is a right side elevational view thereof; FIG. 3 is a left side elevational view thereof; FIG. 4 is a front elevational view thereof; FIG. 5 is a rear elevational view thereof; FIG. 6 is a top plan view thereof; and, FIG. 7 is a bottom plan view thereof.

### [56] References Cited

#### U.S. PATENT DOCUMENTS

D. 383,075 9/1997 Sawaguchi et al. .... D10/66

**1 Claim, 4 Drawing Sheets**



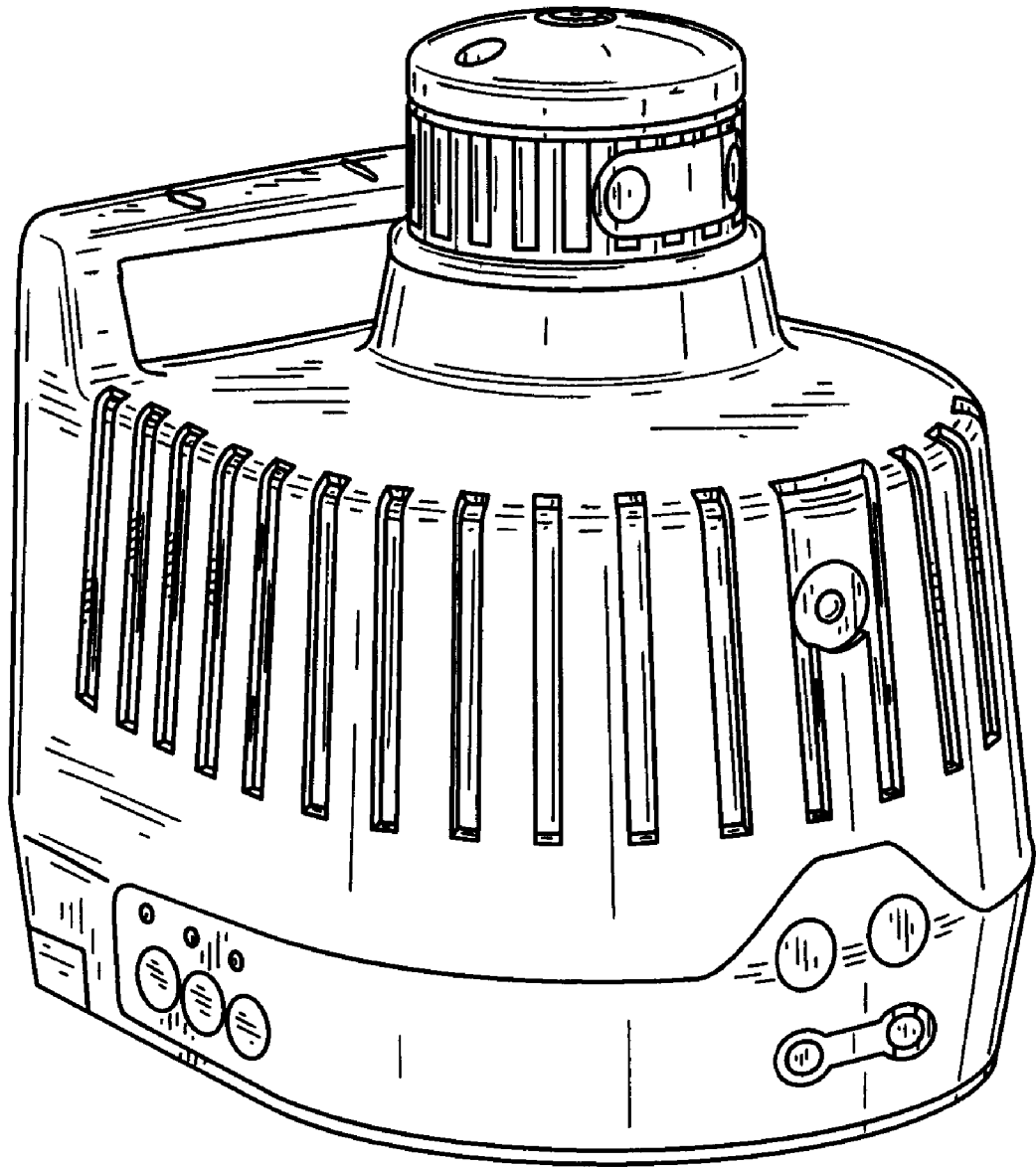


FIG. 1

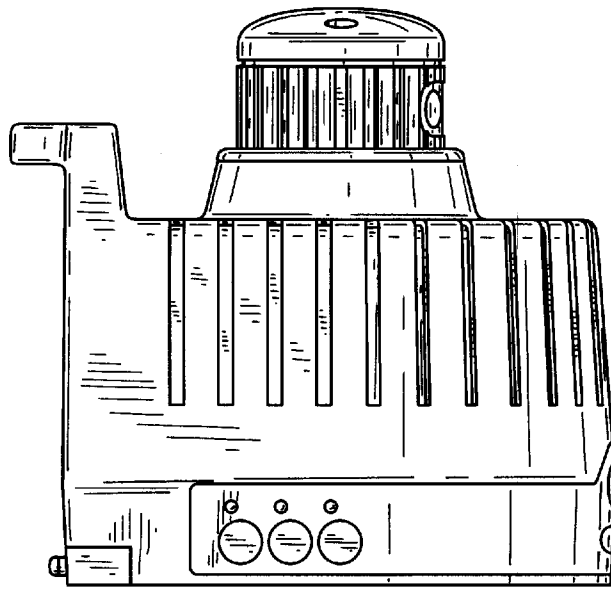


FIG. 2

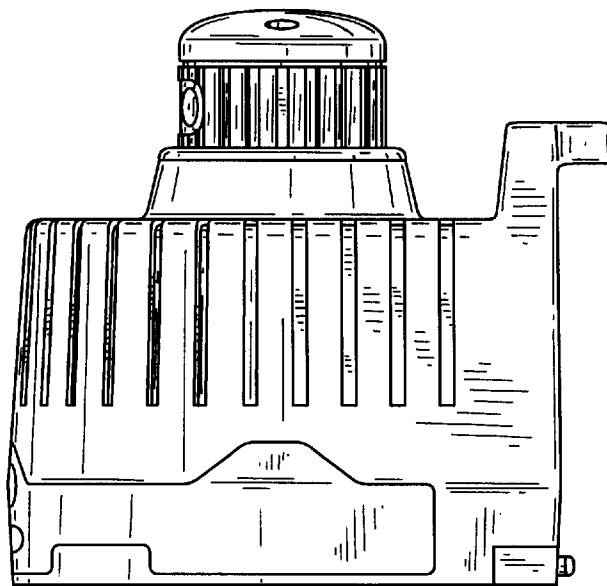


FIG. 3

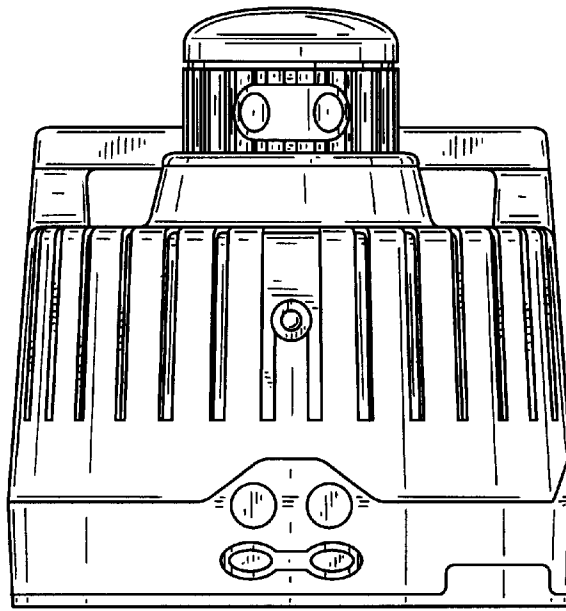


FIG. 4

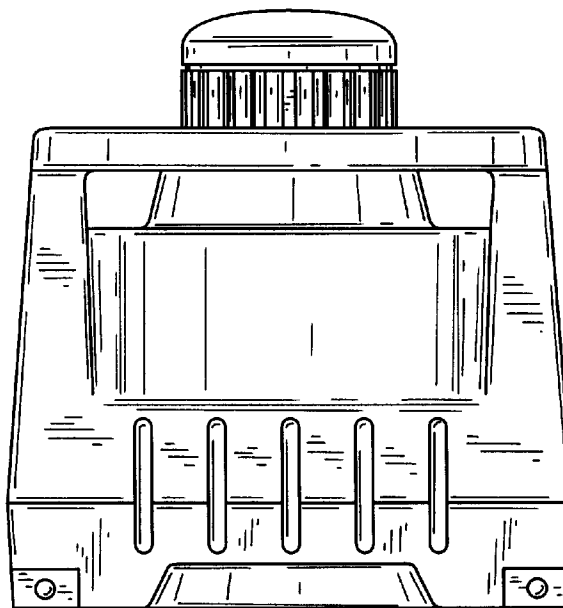


FIG. 5

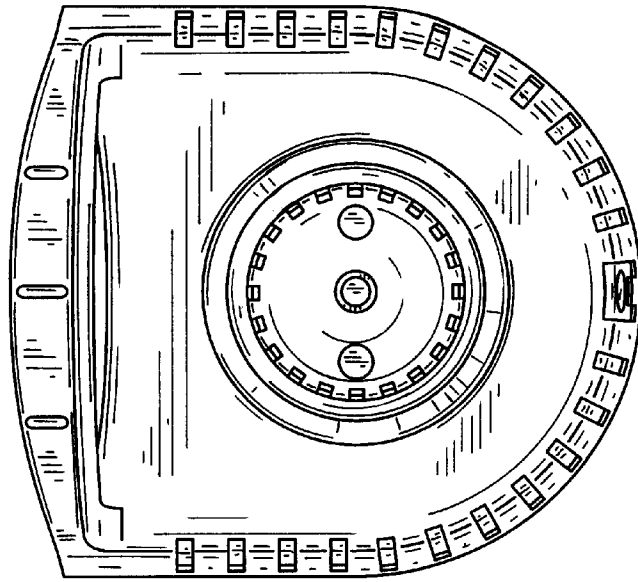


FIG. 6

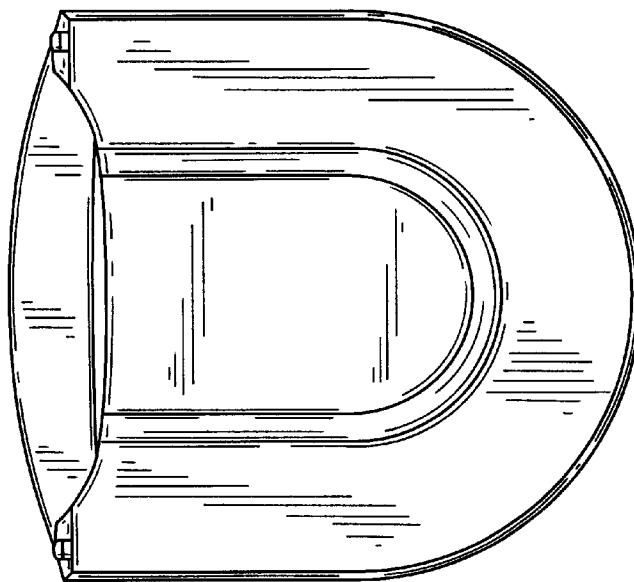


FIG. 7