



US00D471827S

(12) **United States Design Patent**
Ranieri et al.

(10) **Patent No.:** **US D471,827 S**

(45) **Date of Patent:** **** Mar. 18, 2003**

(54) **TAPE MEASURE**

D442,097 S * 5/2001 Yang D10/72

(75) Inventors: **Eric Ranieri**, Besancon (FR); **Joseph Martone**, Bristol, CT (US)

* cited by examiner

Primary Examiner—Antoine Duval Davis
(74) *Attorney, Agent, or Firm*—Pillsbury Winthrop LLP

(73) Assignee: **The Stanley Works**, New Britain, CT (US)

(57) **CLAIM**

(**) Term: **14 Years**

The ornamental design for a tape measure, as shown and described.

(21) Appl. No.: **29/154,244**

DESCRIPTION

(22) Filed: **Jan. 23, 2002**

FIG. 1 is a perspective view of a tape measure according to the present invention;

(51) **LOC (7) Cl.** **10-04**

FIG. 2 is a left side elevational view thereof;

(52) **U.S. Cl.** **D10/72**

FIG. 3 is a right side elevational view thereof;

(58) **Field of Search** D10/72; 33/755-772

FIG. 4 is a front elevational view thereof;

FIG. 5 is a rear elevational view thereof;

FIG. 6 is top plan view thereof; and,

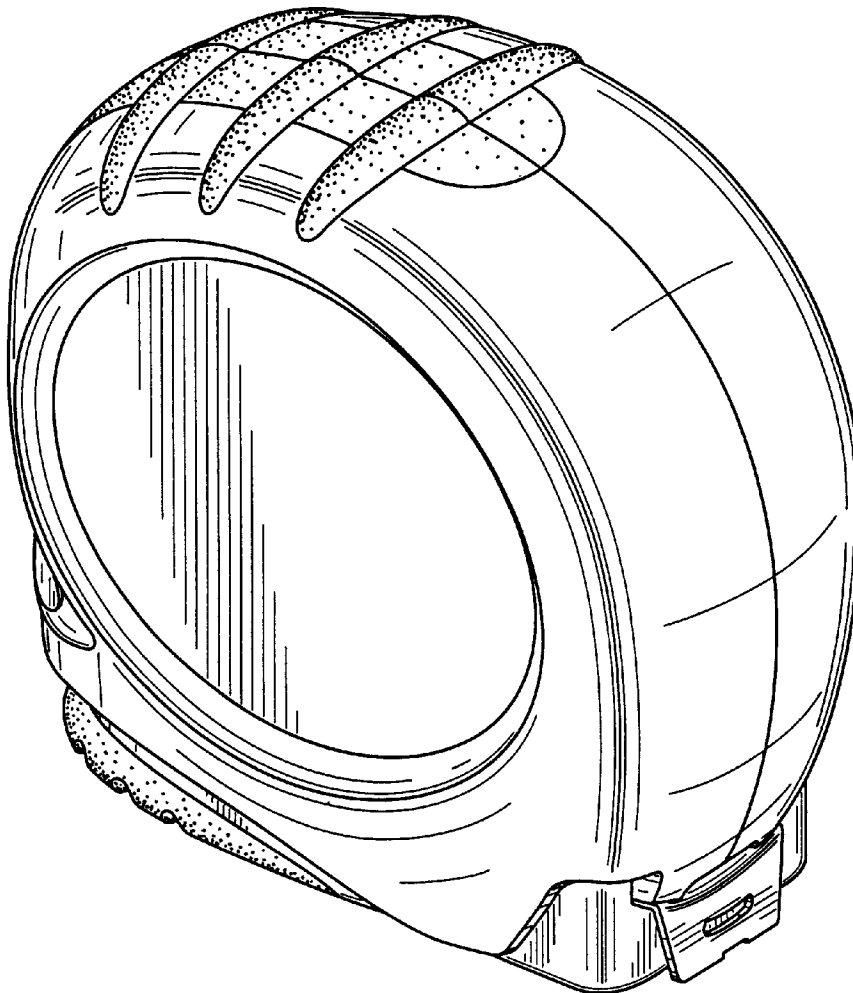
FIG. 7 is a bottom plan view thereof.

(56) **References Cited**

U.S. PATENT DOCUMENTS

D438,806 S * 3/2001 Douglas et al. D10/72

1 Claim, 4 Drawing Sheets



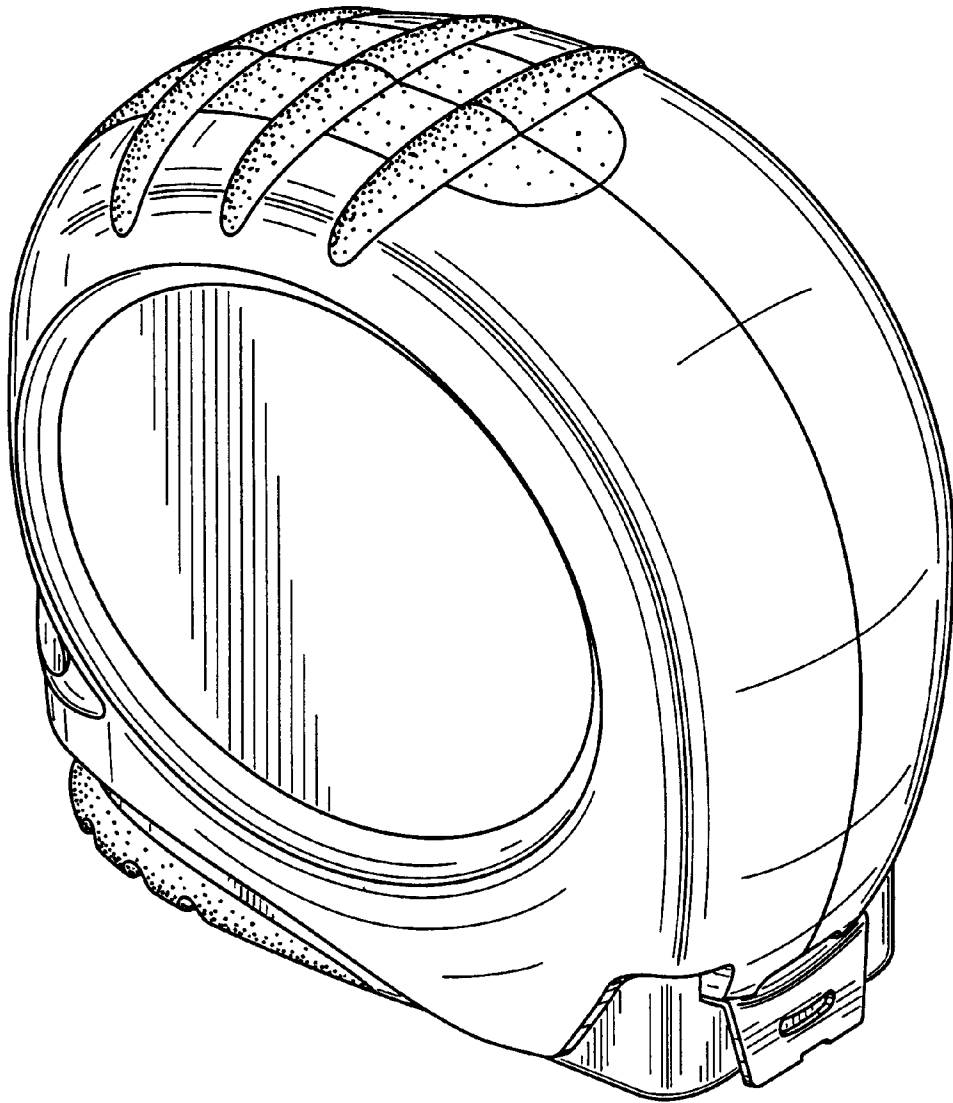


FIG. 1

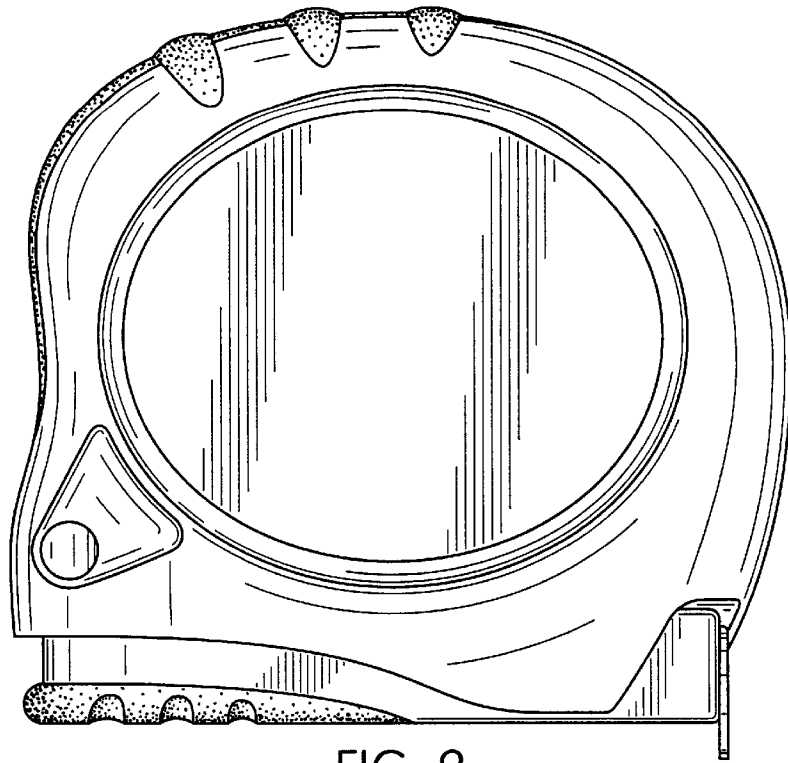


FIG. 2

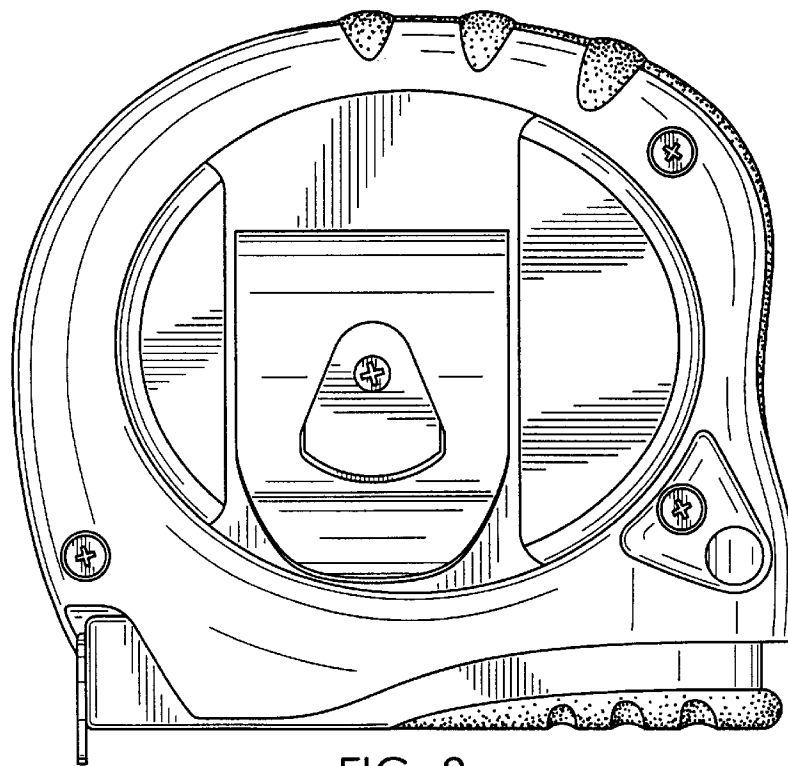


FIG. 3

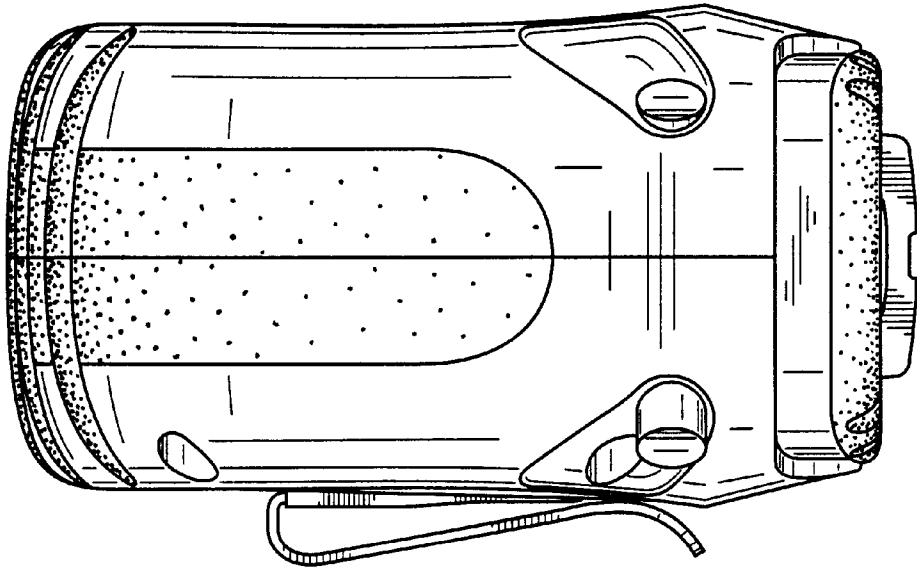


FIG. 5

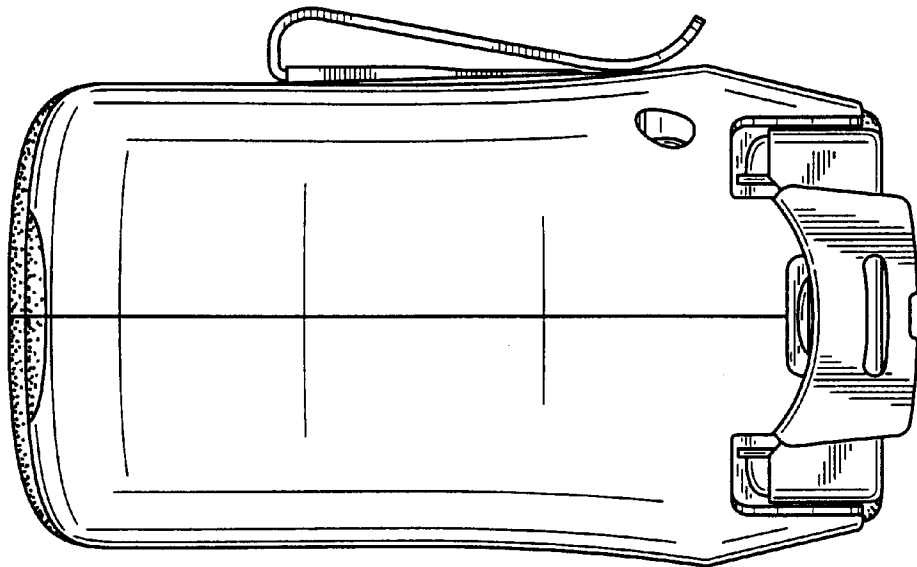


FIG. 4

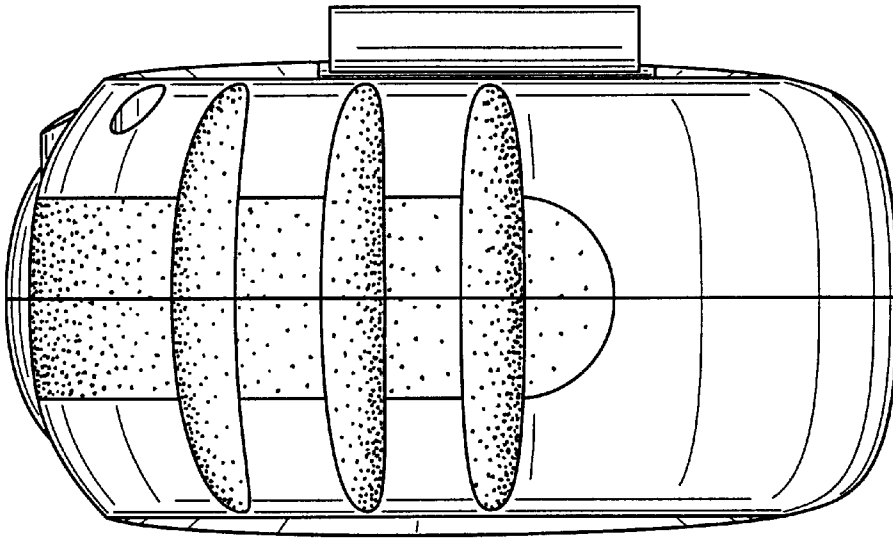


FIG. 6

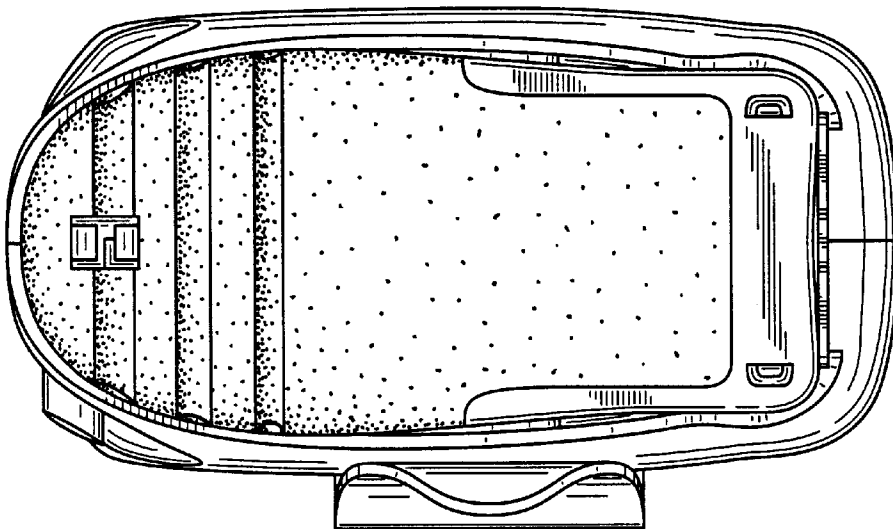


FIG. 7