



US00D442096S

(12) **United States Design Patent** (10) **Patent No.:** **US D442,096 S**  
**Martone** (45) **Date of Patent:** **\*\* May 15, 2001**

(54) **STAINLESS STEEL LONG TAPE**  
(75) Inventor: **Joseph R. Martone**, Bristol, CT (US)  
(73) Assignee: **The Stanley Works**, New Britain, CT (US)  
(\*\*) Term: **14 Years**  
(21) Appl. No.: **29/127,605**  
(22) Filed: **Aug. 10, 2000**

(51) **LOC (7) Cl.** ..... **10-04**  
(52) **U.S. Cl.** ..... **D10/72**  
(58) **Field of Search** ..... **D10/72; 33/755-769**

(56) **References Cited**

**U.S. PATENT DOCUMENTS**

D. 333,794 \* 3/1993 Emori ..... D10/72  
D. 435,225 \* 12/2000 Chan ..... D10/72

\* cited by examiner

*Primary Examiner*—Antoine Duval Davis  
(74) *Attorney, Agent, or Firm*—Pillsbury Winthrop LLP

(57) **CLAIM**

The ornamental design for a stainless steel long tape, as shown and described.

**DESCRIPTION**

FIG. 1 is a perspective view looking down on the front and righthand side of a long tape showing my new design, the perspective view shows a crank and knob of the long tape in an intermediate position to indicate that the crank and knob are movable from the intermediate position shown around into a storage position wherein the knob and crank are disposed within recesses in the right side of the long tape and the exposed surface of the crank is flush with the adjacent right side surfaces, or an operative position wherein the crank extends outwardly in alignment with the recesses and the axis of the knob is parallel with the central axis of the long tape;

FIG. 2 is a right side view thereof;

FIG. 3 is a left side view thereof;

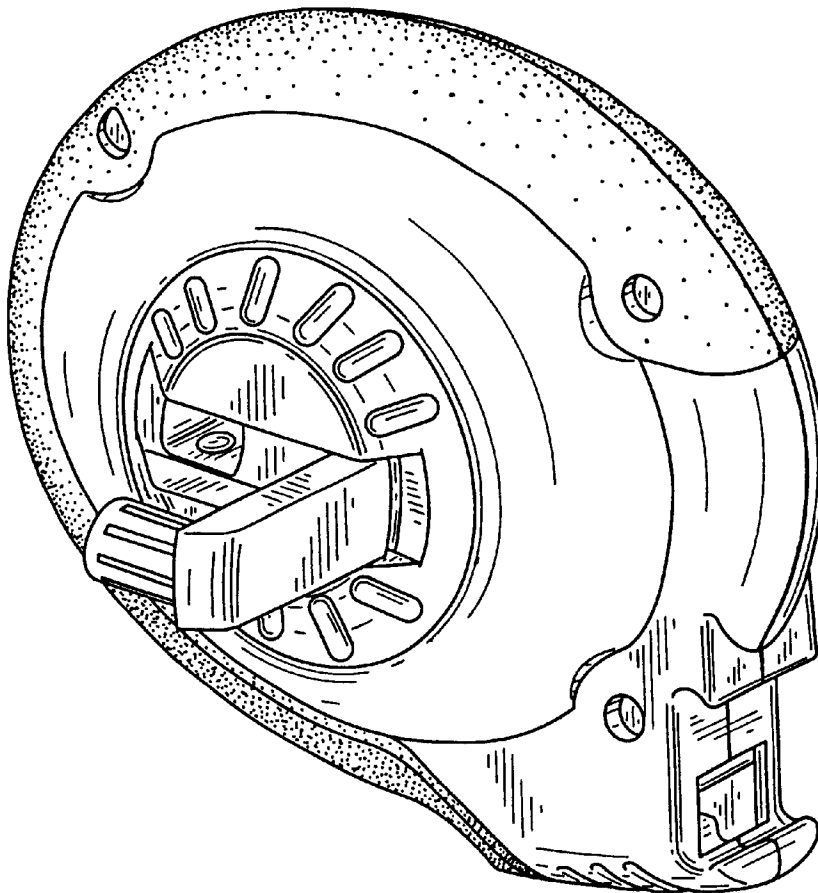
FIG. 4 is a front elevational view thereof;

FIG. 5 is a rear elevational view thereof;

FIG. 6 is a top plan view thereof; and,

FIG. 7 is a bottom plan view thereof.

**1 Claim, 4 Drawing Sheets**



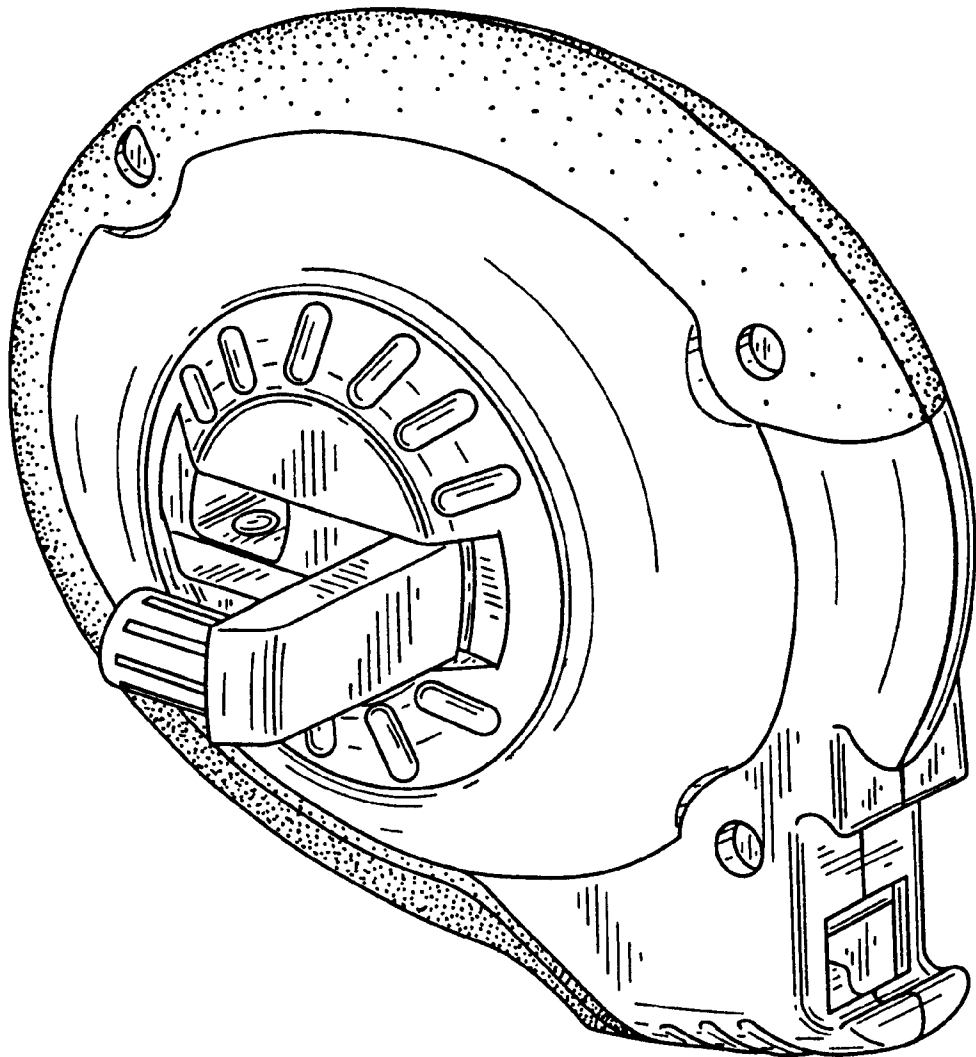


FIG. 1

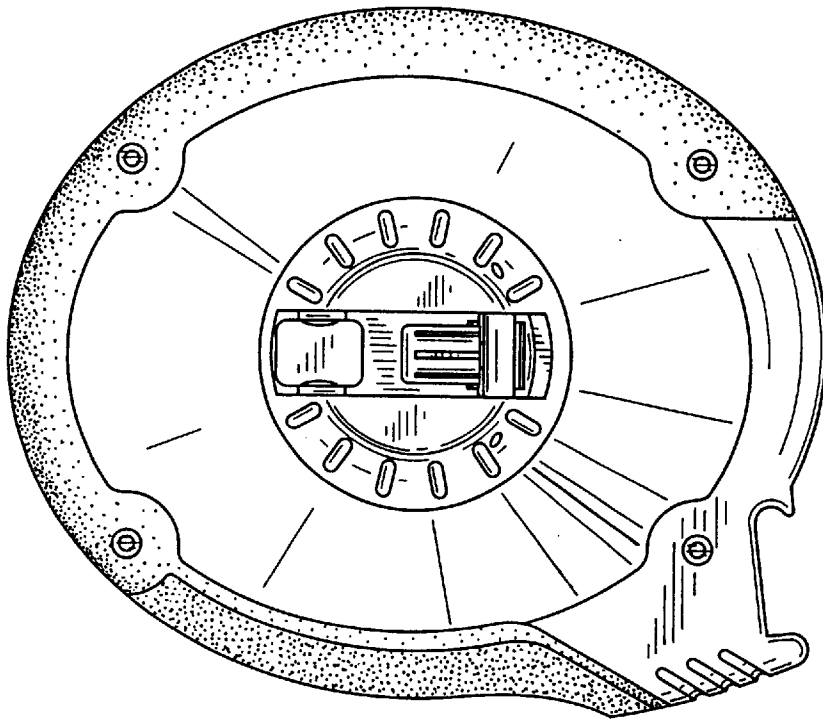


FIG. 2

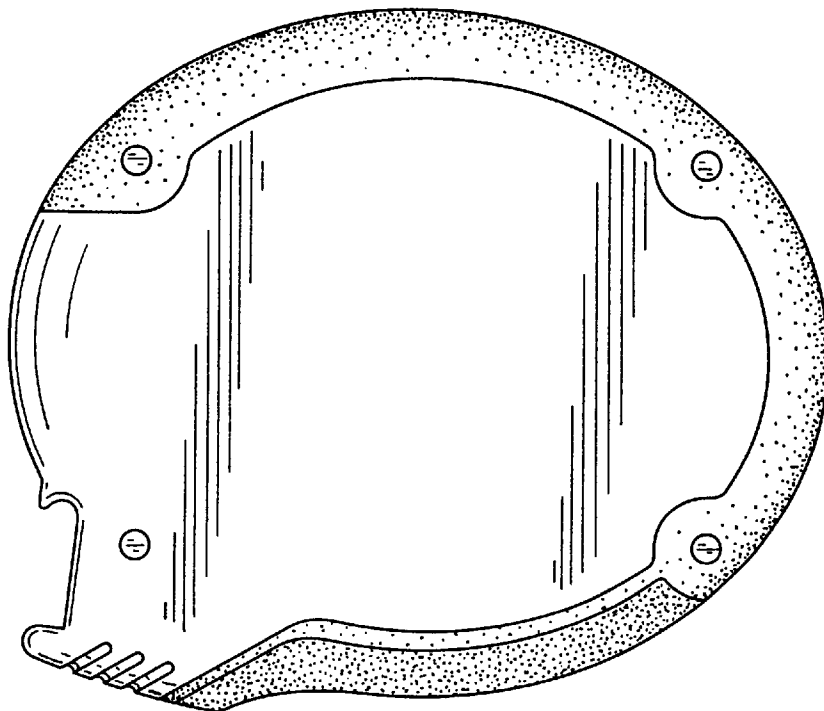


FIG. 3

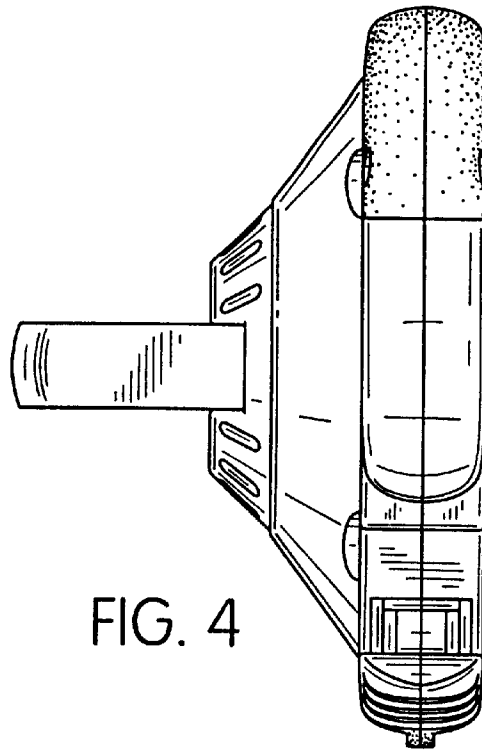


FIG. 4

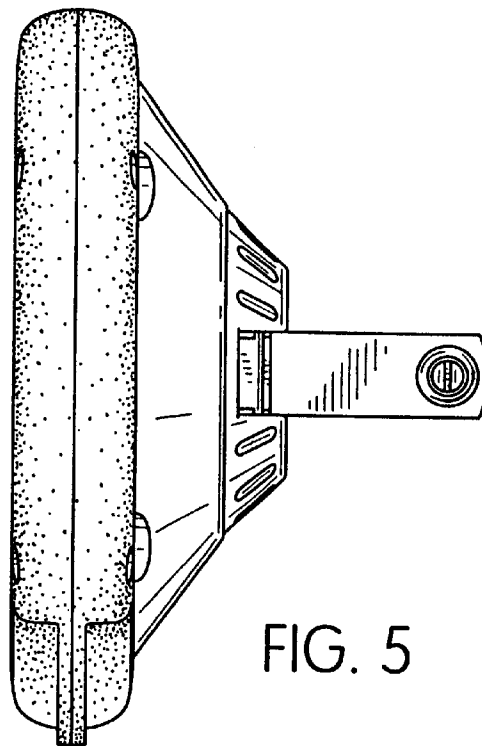


FIG. 5

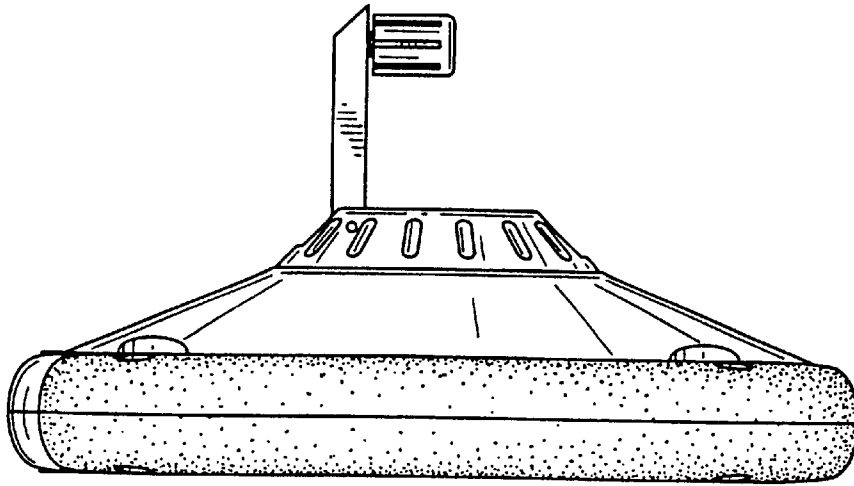


FIG. 6

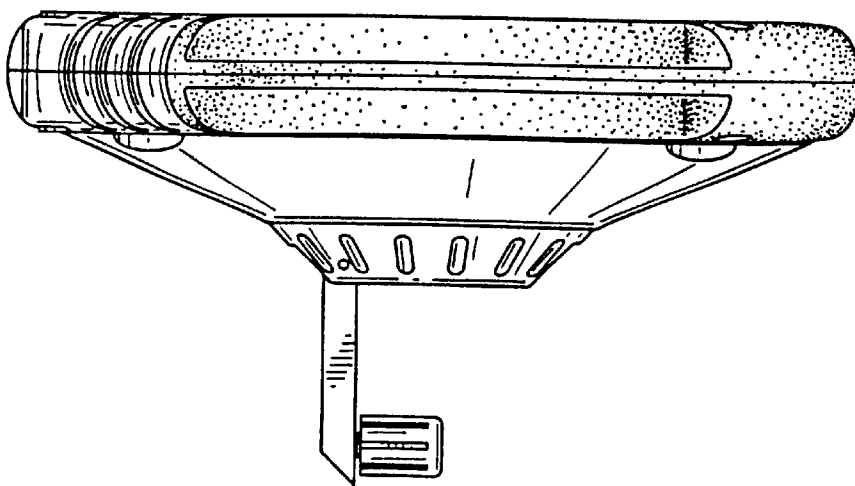


FIG. 7