



US00D415436S

United States Patent [19]
Martone

[11] **Patent Number: Des. 415,436**

[45] **Date of Patent: ** Oct. 19, 1999**

[54] **LASER TORPEDO LEVEL**

[75] Inventor: **Joseph R. Martone**, Bristol, Conn.

[73] Assignee: **The Stanley Works**, New Britain, Conn.

[**] Term: **14 Years**

[21] Appl. No.: **29/092,234**

[22] Filed: **Aug. 14, 1998**

[51] **LOC (6) Cl.** **10-04**

[52] **U.S. Cl.** **D10/69**

[58] **Field of Search** D10/69; 33/365-390

[56] **References Cited**

U.S. PATENT DOCUMENTS

5,020,232 6/1991 Whiteford 33/379 X

Primary Examiner—Antoine Duval Davis

Attorney, Agent, or Firm—Pillsbury Madison & Sutro, LLP

[57] **CLAIM**

The ornamental design for a laser torpedo level, as shown and described.

DESCRIPTION

FIG. 1 is a perspective view of a laser torpedo level showing my new design, looking down on the front and right side thereof;

FIG. 2 is a right side elevational view thereof;

FIG. 3 is a left side elevational view thereof;

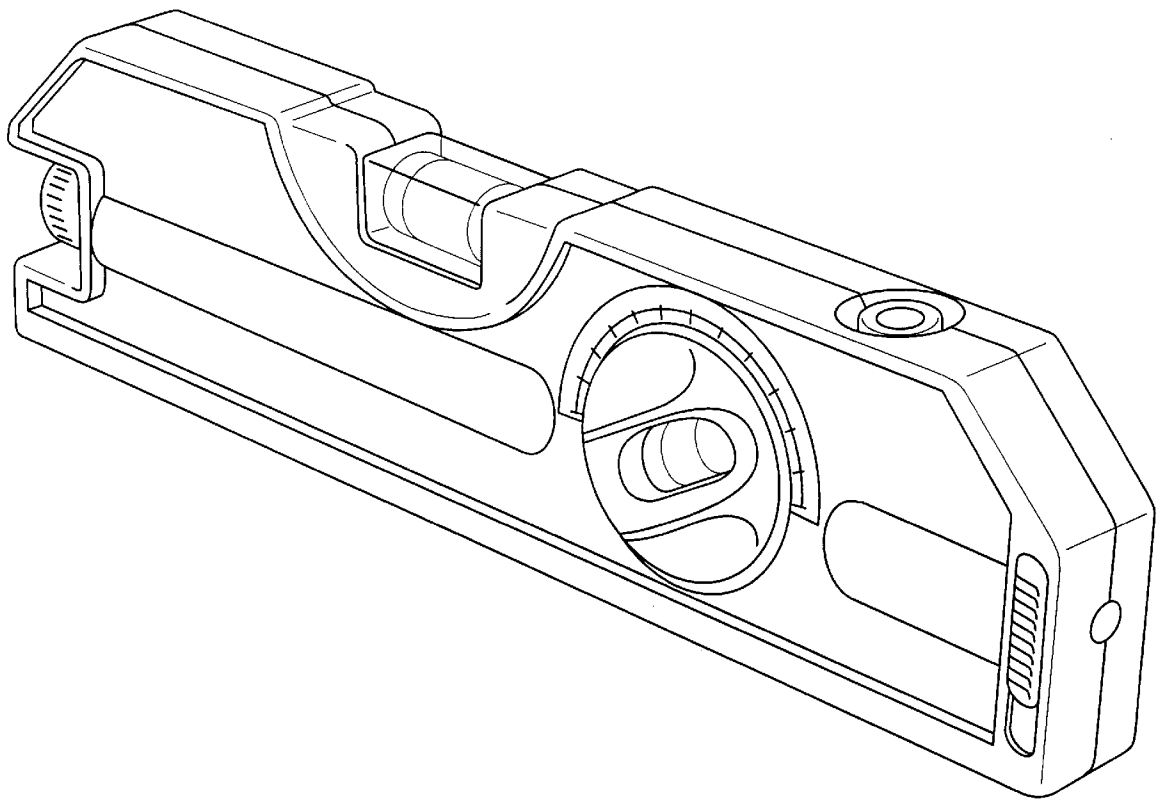
FIG. 4 is a bottom plan view thereof;

FIG. 5 is a top plan view thereof;

FIG. 6 is a front elevational view thereof; and,

FIG. 7 is a rear elevational view thereof.

1 Claim, 4 Drawing Sheets



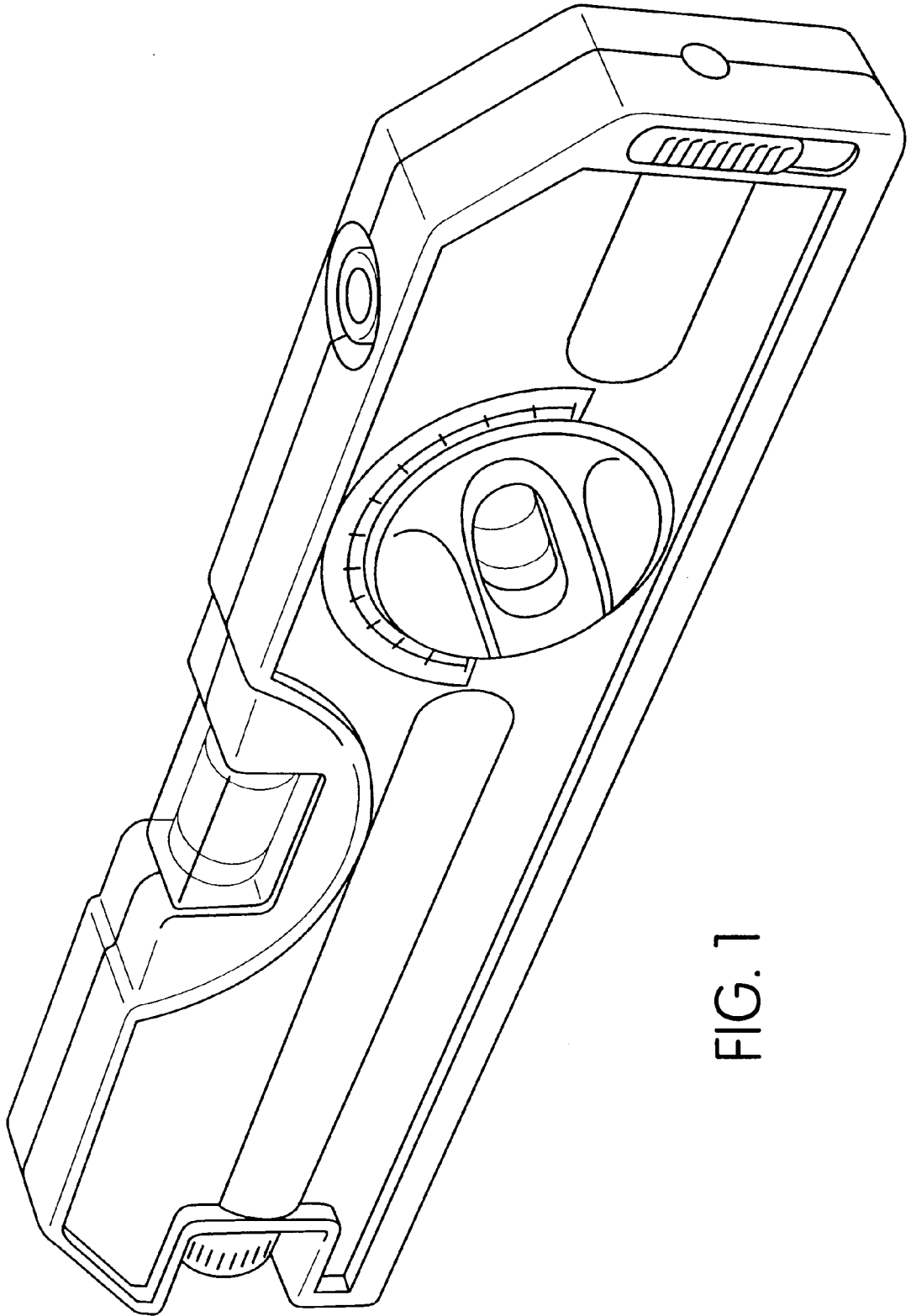


FIG. 1

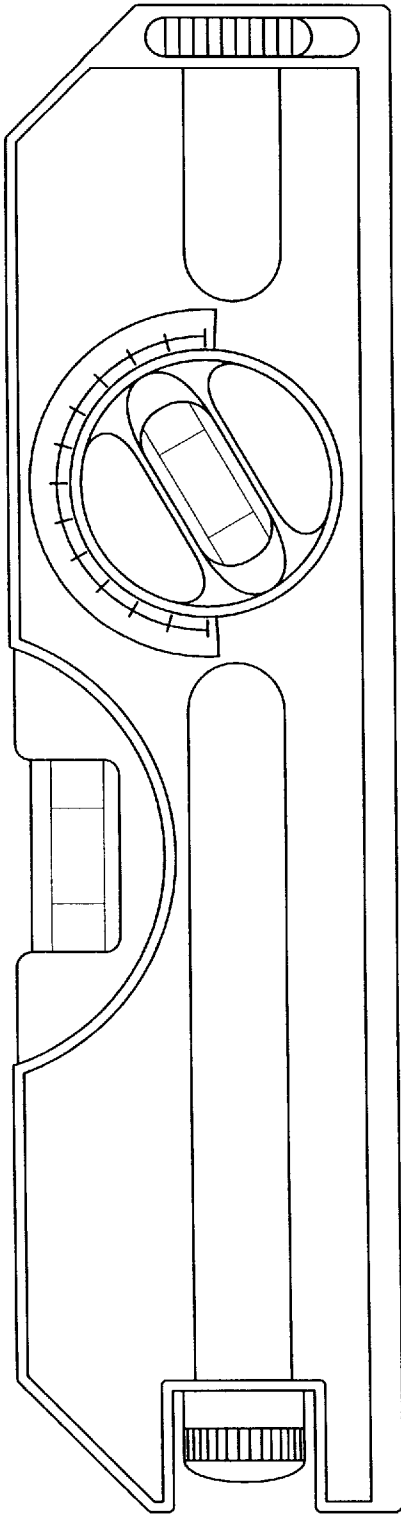


FIG. 2

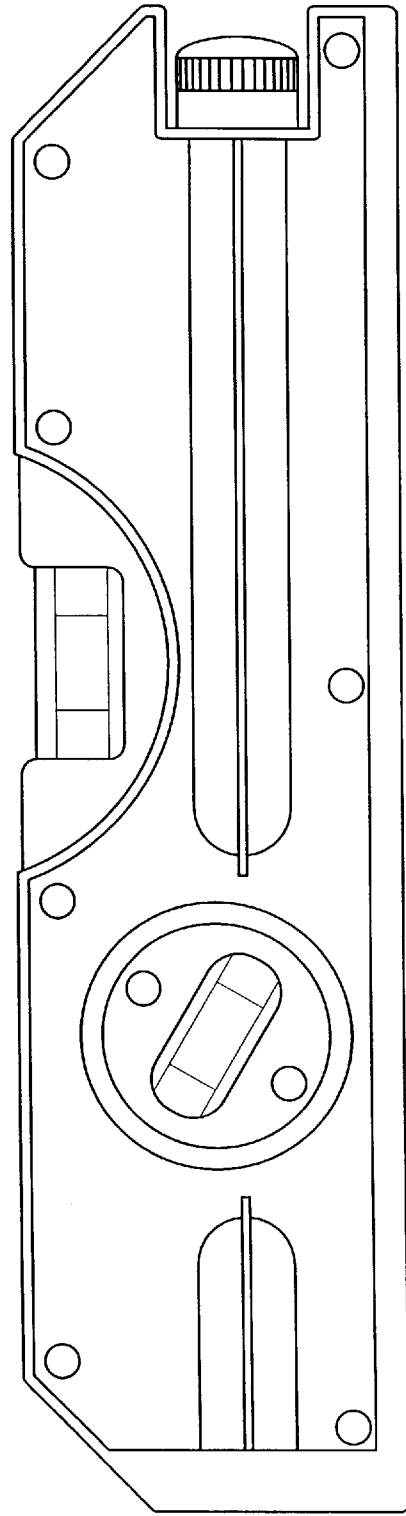


FIG. 3

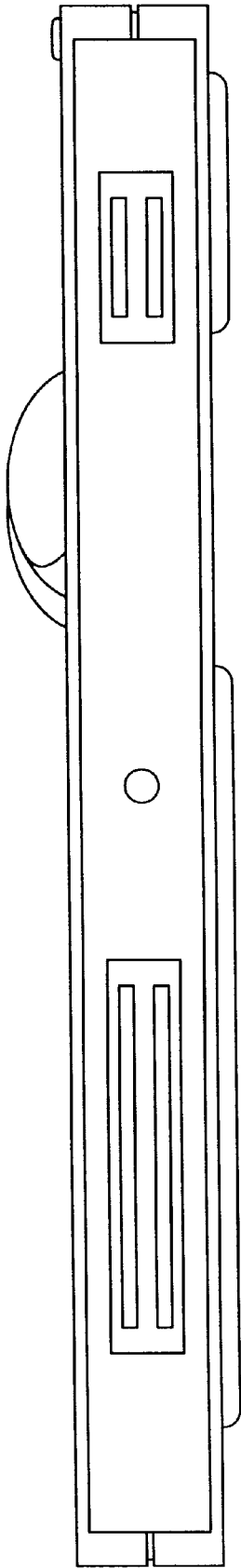


FIG. 4

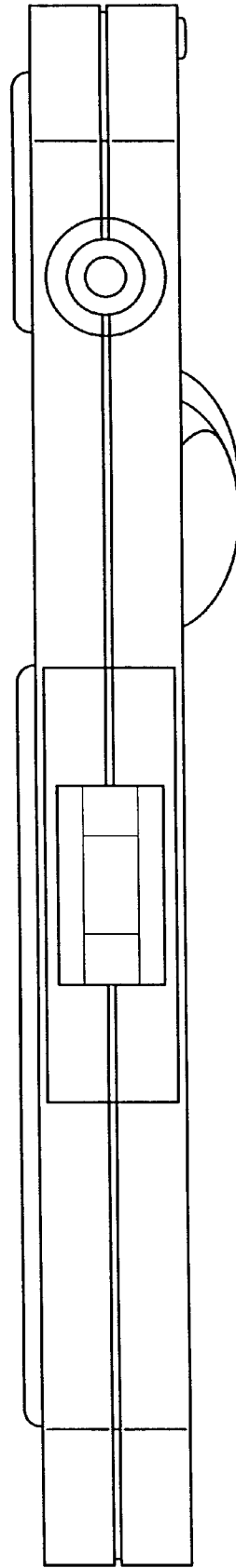


FIG. 5

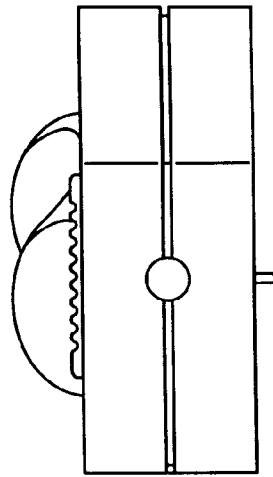


FIG. 6

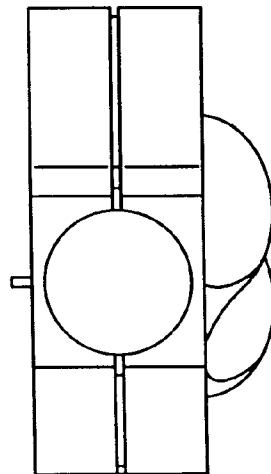


FIG. 7