



US00D440507S

(12) **United States Design Patent** (10) **Patent No.:** **US D440,507 S**  
**Krehel et al.** (45) **Date of Patent:** **\*\* Apr. 17, 2001**

(54) **LEVEL**

(75) Inventors: **Gregg C. Krehel**, Newtown; **Joseph R. Martone**, Bristol, both of CT (US)

(73) Assignee: **The Stanley Works**, New Britain, CT (US)

(\*\*) Term: **14 Years**

(21) Appl. No.: **29/127,500**

(22) Filed: **Aug. 8, 2000**

(51) **LOC (7) Cl.** ..... **10-04**

(52) **U.S. Cl.** ..... **D10/69**

(58) **Field of Search** ..... D10/69; 33/361-381

(56) **References Cited**

**U.S. PATENT DOCUMENTS**

D. 405,018 \* 2/1999 Martin, Jr. .... D10/69

\* cited by examiner

*Primary Examiner*—Antoine Duval Davis

(74) *Attorney, Agent, or Firm*—Pillsbury Winthrop LLP

(57) **CLAIM**

The ornamental design for a level, as shown and described.

**DESCRIPTION**

FIG. 1 is a perspective view of the level, showing our new design looking at the top front thereof and the left end thereof;

FIG. 2 is a front elevational view thereof;

FIG. 3 is a rear elevational view thereof;

FIG. 4 is a top plan view thereof;

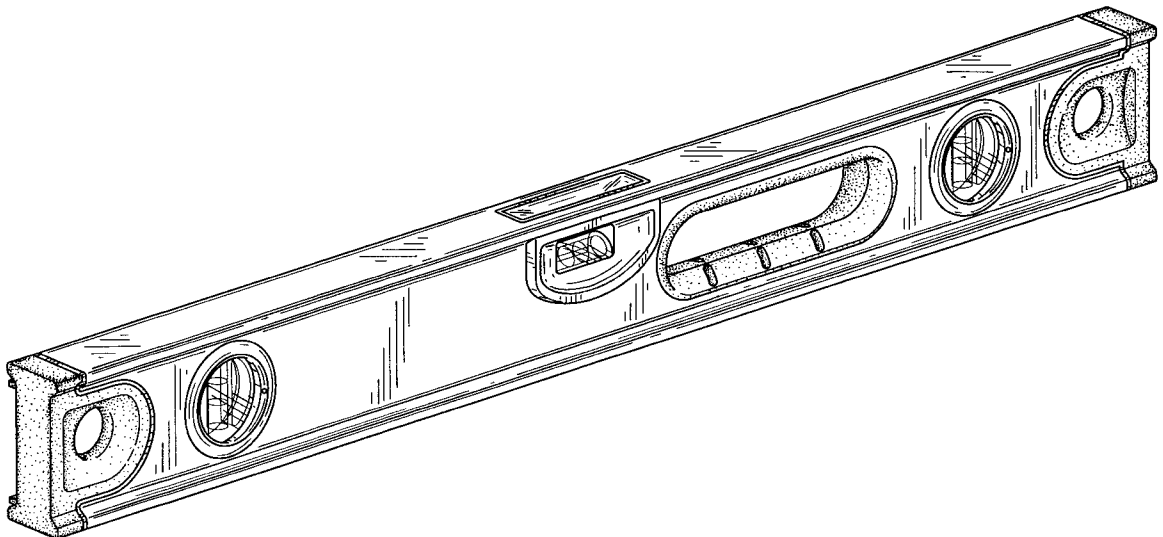
FIG. 5 is a bottom plan view thereof;

FIG. 6 is a left end view thereof;

FIG. 7 is a right end view thereof; and,

FIG. 8 is a perspective view of a level showing our new design with magnets mounted in the bottom thereof.

**1 Claim, 4 Drawing Sheets**



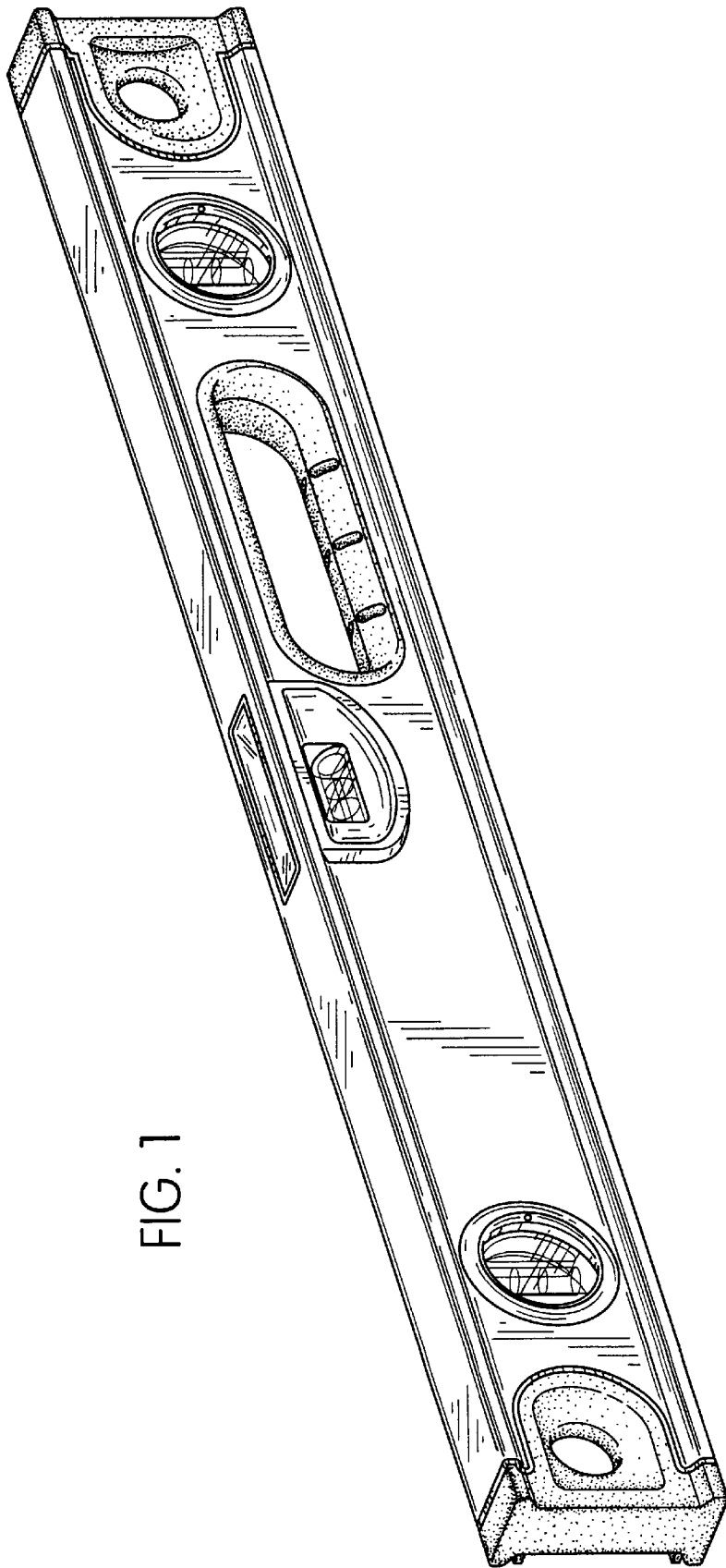


FIG. 1

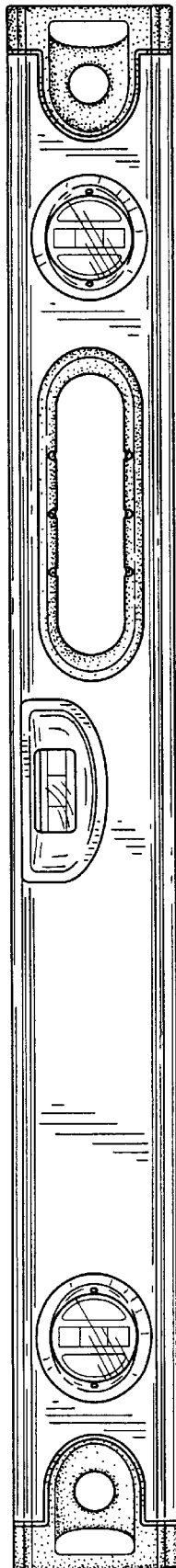


FIG. 2

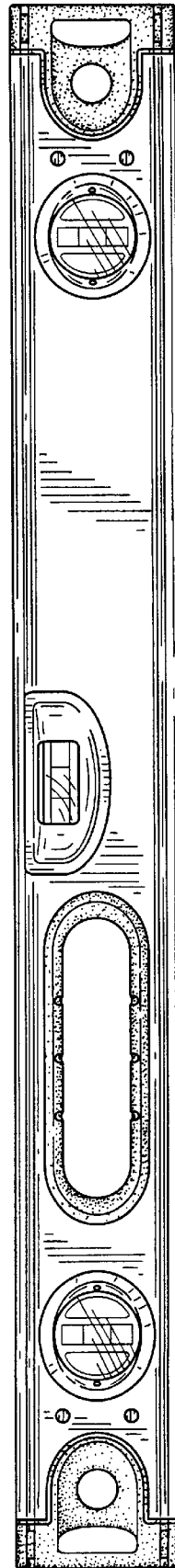


FIG. 3

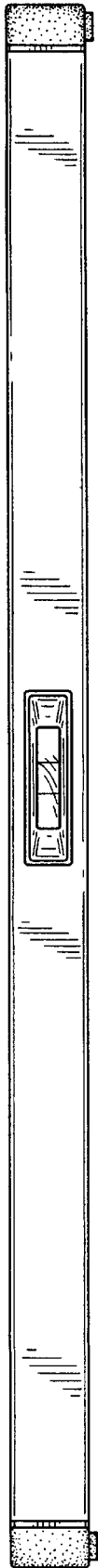


FIG. 4



FIG. 5

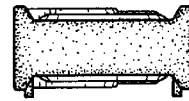


FIG. 6

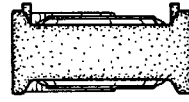


FIG. 7

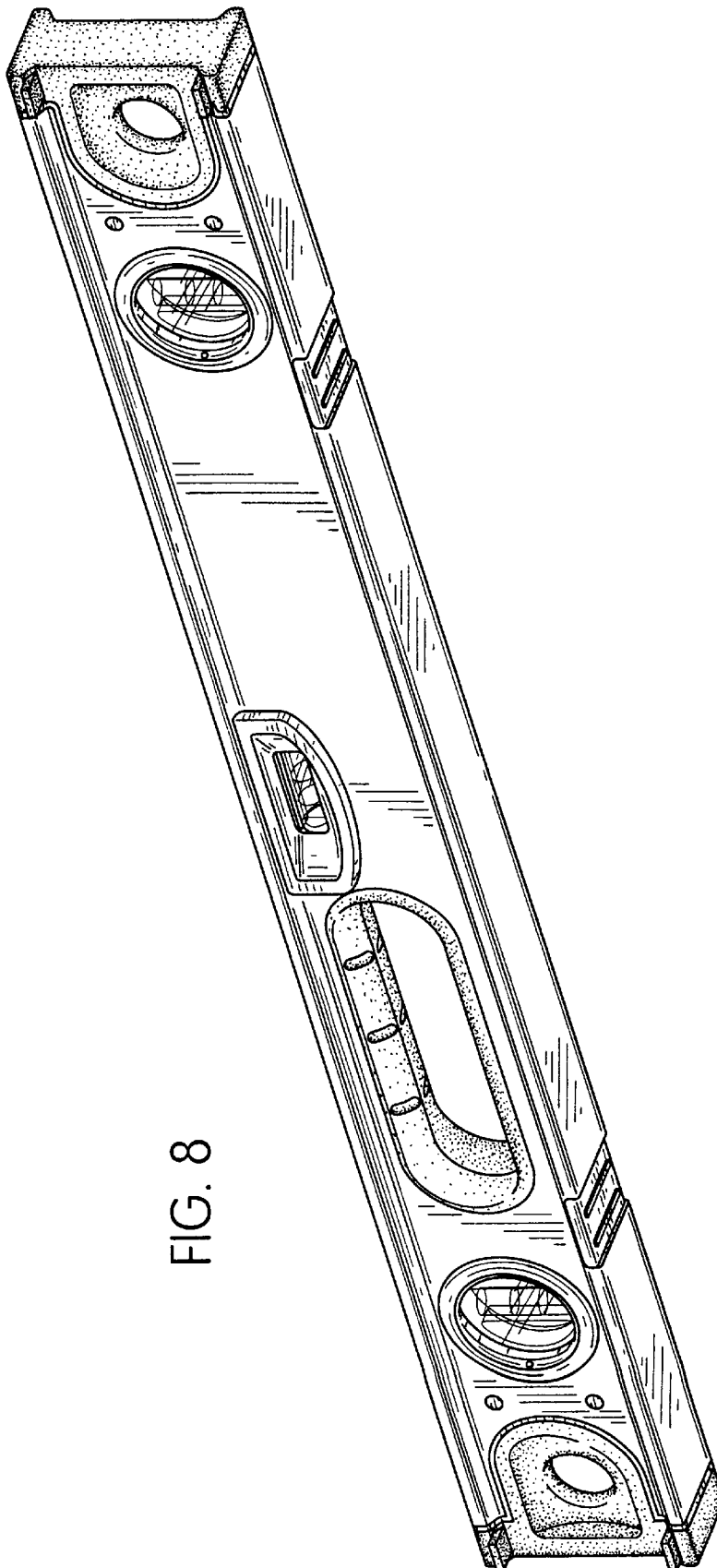


FIG. 8