



US00D448686B1

(12) **United States Design Patent** (10) **Patent No.:** **US D448,686 S**
Martone (45) **Date of Patent:** **** Oct. 2, 2001**

(54) **FOAM CAST LEVEL**
(75) Inventor: **Joseph R. Martone**, Bristol, CT (US)
(73) Assignee: **The Stanley Works**, New Britain, CT (US)
(**) Term: **14 Years**

(21) Appl. No.: **29/127,606**
(22) Filed: **Aug. 10, 2000**
(51) **LOC (7) Cl.** **10-04**
(52) **U.S. Cl.** **D10/69**
(58) **Field of Search** D10/69; 33/368-390

(56) **References Cited**
U.S. PATENT DOCUMENTS
D. 405,018 * 2/1999 Martin, Jr. D10/69
1,691,776 * 11/1928 Mayes D10/69 X
2,453,091 * 11/1948 Holloway et al. 33/365
2,639,514 * 5/1953 Garrison 33/365

* cited by examiner

Primary Examiner—Antoine Duval Davis
(74) *Attorney, Agent, or Firm*—Pillsbury Winthrop LLP

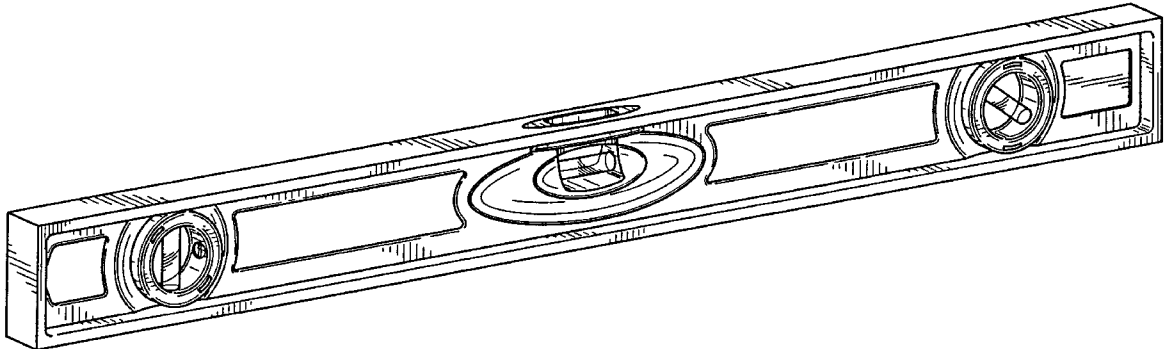
(57) **CLAIM**

The ornamental design for a foam cast level, as shown and described.

DESCRIPTION

FIG. 1 is a perspective view of a foam cast level handle showing my new design, looking down on the front and right side thereof;
FIG. 2 is a front elevational view thereof, the rear elevational view being a mirror image thereof;
FIG. 3 is a top plan view thereof;
FIG. 4 is a bottom plan view thereof;
FIG. 5 is a right side view thereof, the left side view being a mirror image thereof; and,
FIG. 6 is a bottom plan view of another embodiment of a level showing my new design.

1 Claim, 2 Drawing Sheets



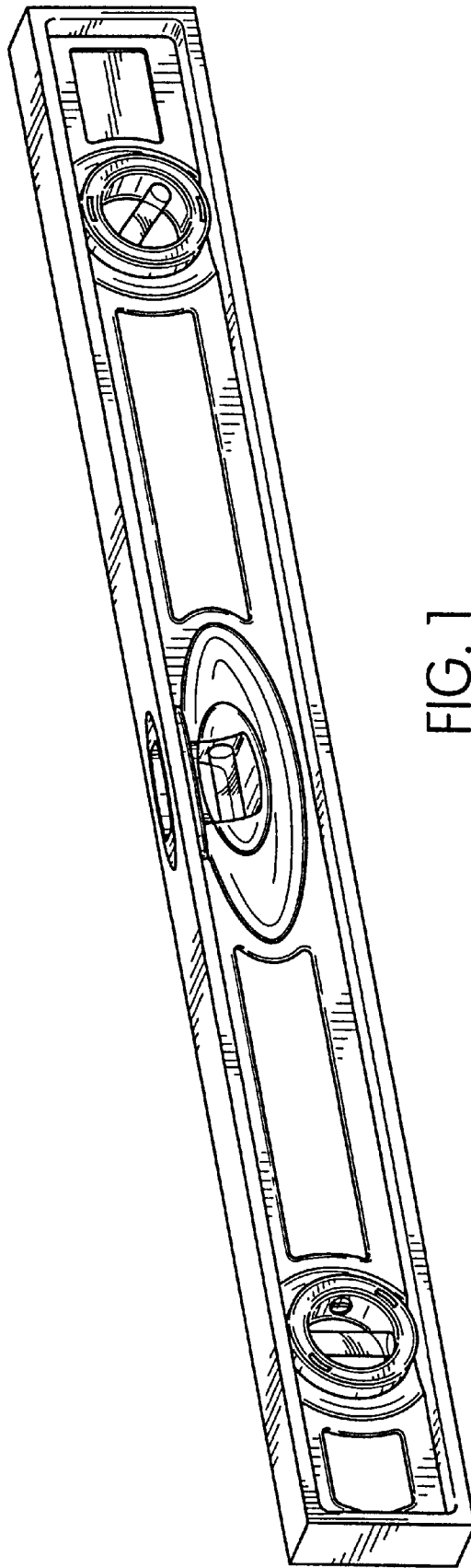


FIG. 1

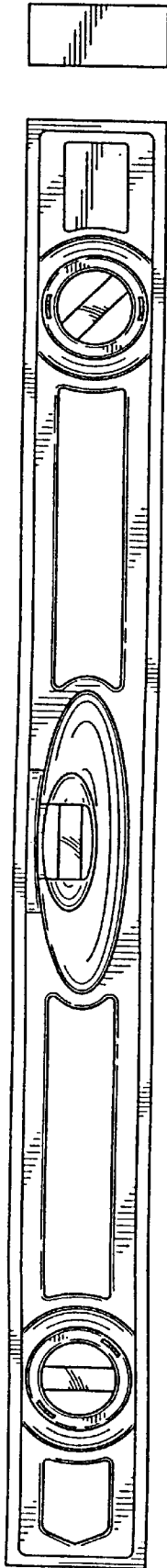


FIG. 2

FIG. 5



FIG. 3



FIG. 4



FIG. 6